

CONTAX

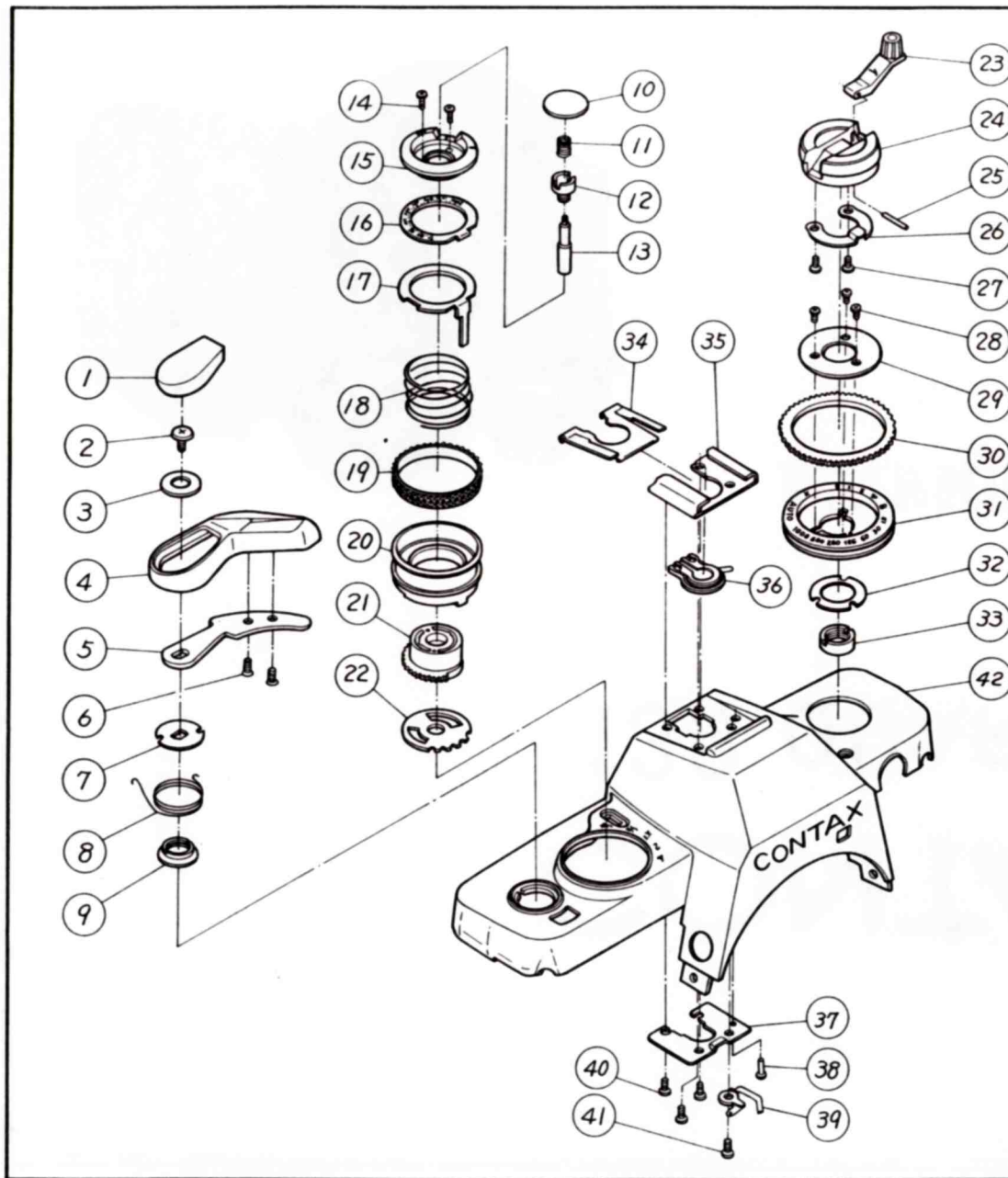
139 QUARTZ

ASSEMBLING CHART



YASHICA CO., LTD.

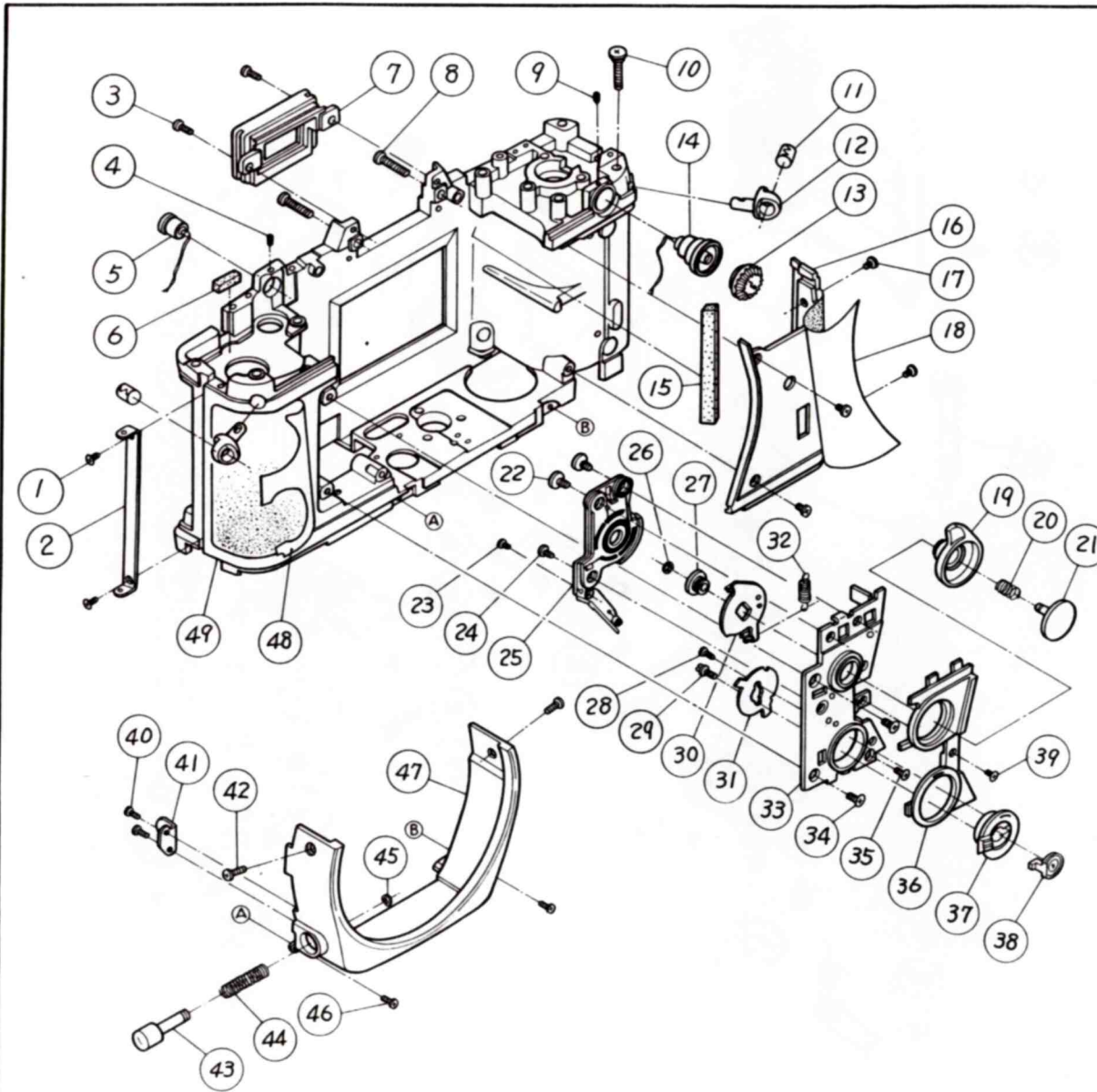
TOKYO JAPAN



| | PARTS NO | DESCRIPTION | QTY |
|----|----------|-------------------------------|-----|
| 1 | 139602 | W Lever Cover | 1 |
| 2 | 66001037 | W Lever S.S. | 1 |
| 3 | 60354113 | W Lever Washer | 1 |
| 4 | 139601 | W Lever | 1 |
| 5 | 139603 | W Lever Plate | 1 |
| 6 | 69313566 | W Lever Plate S.S. | 2 |
| 7 | 139604 | W Lever Spring Post | 1 |
| 8 | 139606 | W Lever Rewind Spring | 1 |
| 9 | 139605 | F Cover Fixer | 1 |
| 10 | 139311 | Release Button | 1 |
| 11 | 139313 | Release Spring | 1 |
| 12 | 139306 | ASA Shaft Stopper | 1 |
| 13 | 139307 | Release Shaft | 1 |
| 14 | 139249 | Self S.S. | 2 |
| 15 | 139309 | ASA Indicator Plate | 1 |
| 16 | 139310 | ASA Dial Plate | 1 |
| 17 | 139375 | ASA Dial Stopper | 1 |
| 18 | 139312 | ASA Spring | 1 |
| 19 | 224352 | Dial Rubber | 1 |
| 20 | 139308 | ASA Ring | 1 |
| 21 | 139305 | ASA Change Gear | 1 |
| 22 | 139318 | Corrective Click Plate | 1 |
| 23 | 139369 | Crank Arm Ass'y | 1 |
| 24 | 139368 | Rewind Knob | 1 |
| 25 | 66708300 | Crank Arm Pin | 1 |
| 26 | 139373 | Crank Arm Spring | 1 |
| 27 | 61912224 | Crank Arm Spring S.S. | 2 |
| 28 | 61912529 | S. Reinforcement Plate S.S. | 3 |
| 29 | 139367 | S. Reinforcement Plate | 1 |
| 30 | 139366 | S. Band | 1 |
| 31 | 139365 | S. Dial | 1 |
| 32 | 139363 | S. Dial Plate (Select) | 1 |
| 33 | 139348 | Rewind Shaft Holder Nut | 1 |
| 34 | 139178 | Shoe Plate Spring | 1 |
| 35 | 139169 | Accessory Shoe | 1 |
| 36 | 065461 | Shoe Contact Ass'y | 1 |
| 37 | 139180 | Shoe Reinforcement Plate | 1 |
| 38 | 139176 | Shoe Contact Plate Pin | 1 |
| 39 | 139174 | Shoe Contact Plate(1) Ass'y | 1 |
| 40 | 61913022 | Shoe Reinforcement Plate S.S. | 3 |
| 41 | 61914024 | Shoe Contact Plate S.S. | 1 |
| 42 | ★ | Top Cover | 1 |

| ASSEMBLY PARTS | ORDER NO. | DESCRIPTION |
|-------------------|-----------|------------------|
| Top Cover Ass'y | 065-161 | 34 - 42 |
| | | (See page No. 9) |
| | | (1 - 18 20 - 23) |
| Rewind Knob Ass'y | 065920 | 23 - 27 |

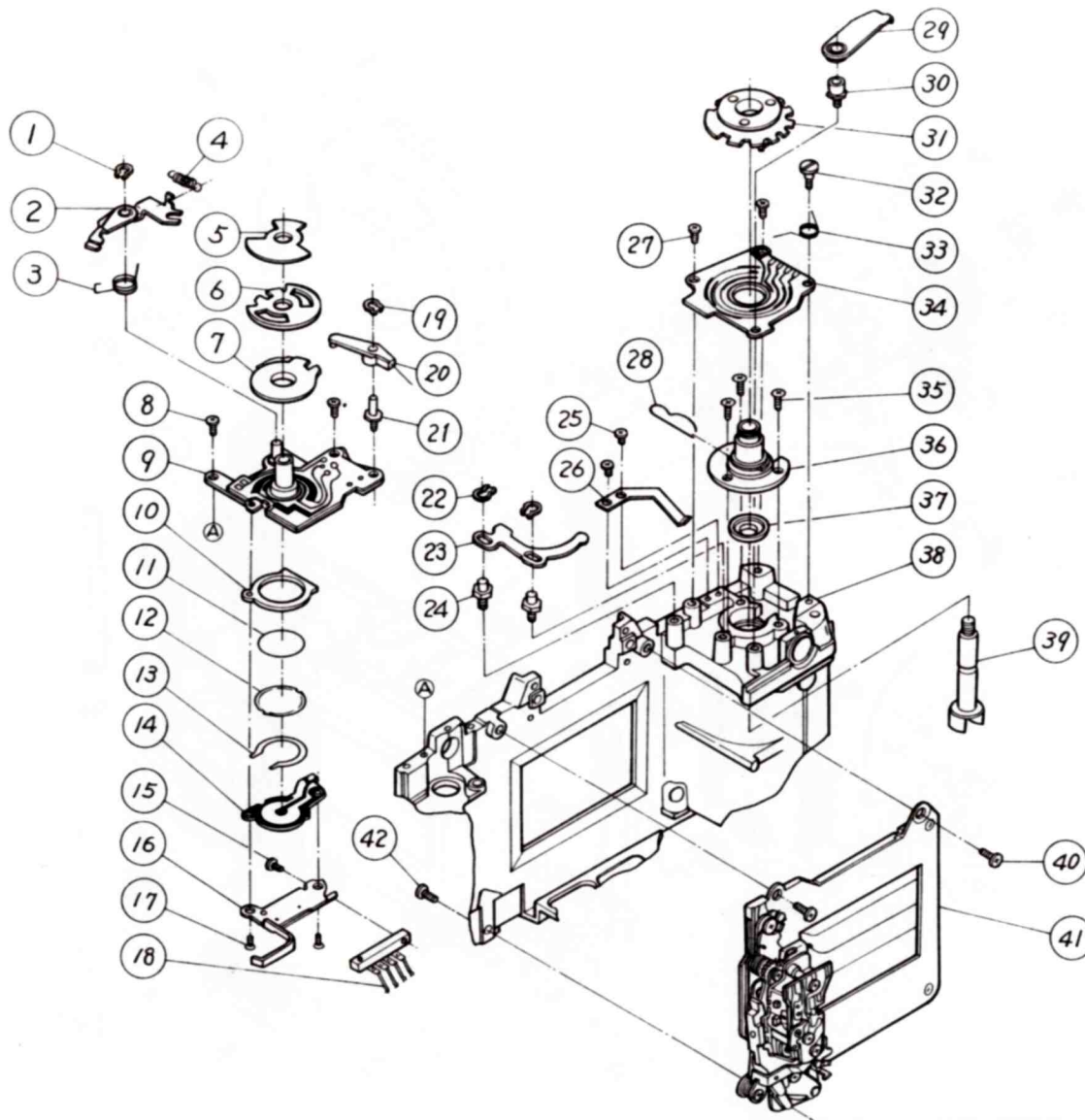
NOTE : (Parts with marked "★" are not Available)



| PARTS NO | DESCRIPTION | QTY |
|----------|--------------------------------------|-----|
| 1 | 61813021 Hinge Shaft Holder S.S. | 2 |
| 2 | 139148 Hinge Shaft Holder | 1 |
| 3 | 61913524 Eye-piece Frame S.S. | 2 |
| 4 | 61512022 R. Socket S.S. | 1 |
| 5 | 065-462 R. Socket Ass'y | 1 |
| 6 | B. Moquette | 1 |
| 7 | 139168 Eye-piece Frame | 1 |
| 8 | 61917024 Mirror Box S.S. | 2 |
| 9 | 61512022 Synchro Socket S.S. | 1 |
| 10 | 139110 Strap Holder S.S. | 1 |
| 11 | 131122 Reinforcement Ring | 2 |
| 12 | 142102 Strap Holder | 2 |
| 13 | 139138 Synchro Cap | 1 |
| 14 | 065128 Synchro Socket Ass'y | 1 |
| 15 | 139203 Shutter Light-proof Moquette | 1 |
| 16 | 139116 Reinforcement Plate | 1 |
| 17 | 61912524 Reinforcement Plate S.S. | 4 |
| 18 | 139103 Front Leather(Right) | 1 |
| 19 | 065718 EL Lever | 1 |
| 20 | 139210 EC Button Spring | 1 |
| 21 | 139209 EC Button | 1 |
| 22 | 66001023 EL Base S.S. | 2 |
| 23 | 61901422 S.S. | 1 |
| 24 | 61912524 EL Base S.S. | 1 |
| 25 | 065596 EL Base Ass'y | 1 |
| 26 | 66101225 Snap Ring | 1 |
| 27 | 139217 EC Button Holder | 1 |
| 28 | 139249 Self-timer S.S. | 1 |
| 29 | 139245 Self Contact | 1 |
| 30 | 065344 EL Rotation Plate Ass'y | 1 |
| 31 | 139244 Self Rotation Plate | 1 |
| 32 | 139216 EL Spring | 1 |
| 33 | 065109 Front Plate Sub Ass'y | 1 |
| 34 | 66001043 Front Cover S.S. | 2 |
| 35 | 61913524 S.S. | 1 |
| 36 | 139212 EL Self Shoe | 1 |
| 37 | 139240 Self Lever | 1 |
| 38 | 139241 LED Lens | 1 |
| 39 | 61813524 EL Self Shoe S.S. | 1 |
| 40 | 61902524 Aperture Button Holder S.S. | 2 |
| 41 | 139820 Aperture Button Holder | 1 |
| 42 | 61913529 Front Cover S.S. | 2 |
| 43 | 139819 Aperture Button | 1 |
| 44 | 131809 Aperture Button Spring | 1 |
| 45 | 66101225 Snap Ring | 1 |
| 46 | 61902024 Front Cover S.S. | 2 |
| 47 | 139196 Front Cover | 1 |
| 48 | 139102 Front Leather(Left) | 1 |
| 49 | ★ Body | |

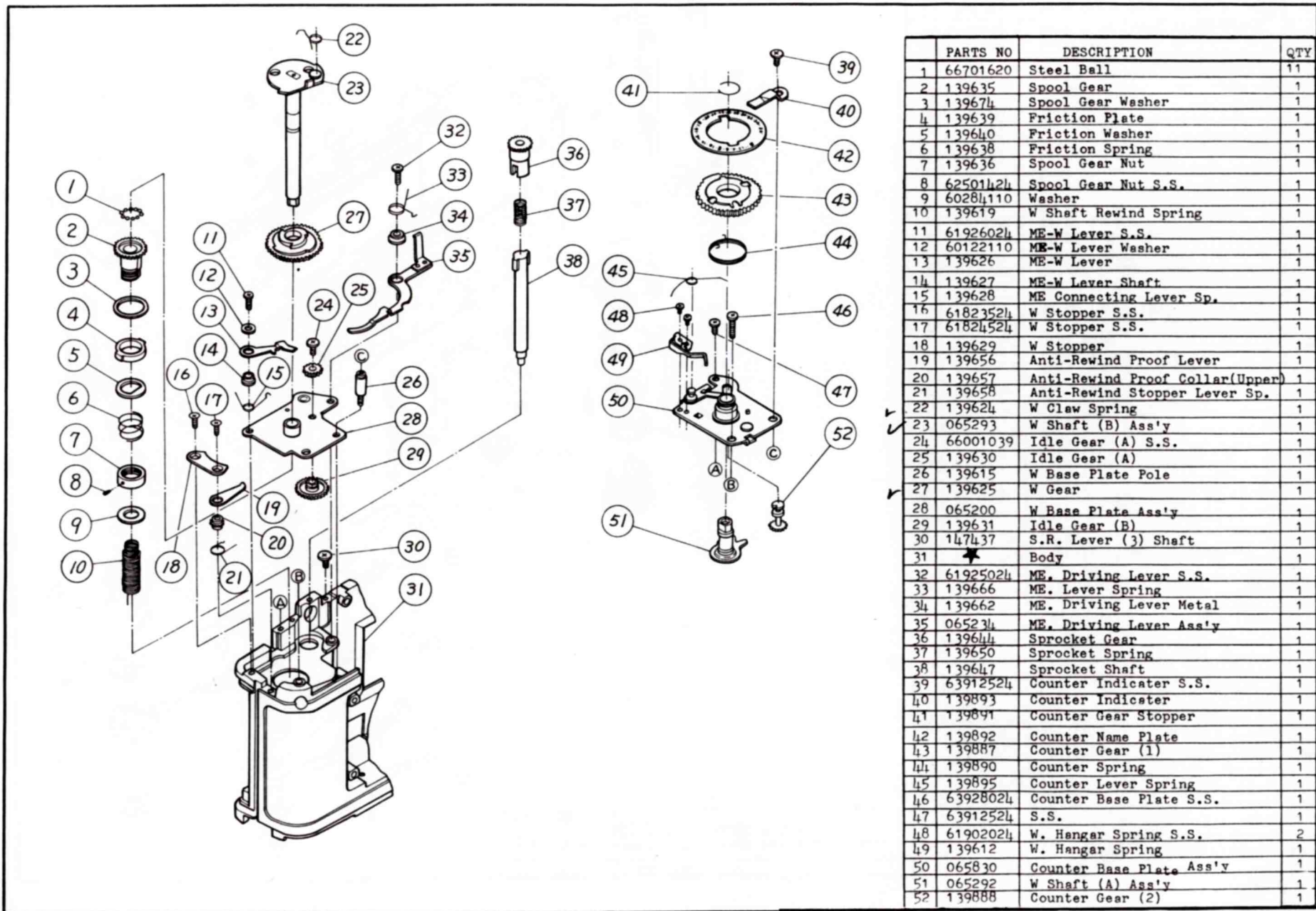
| ASSEMBLY PARTS | ORDER NO | DESCRIPTION |
|-------------------|----------|-------------|
| Front Plate Ass'y | 065-108 | 19 - 38 |

NOTE : (Parts with marked "★" are not Available) **No.2**



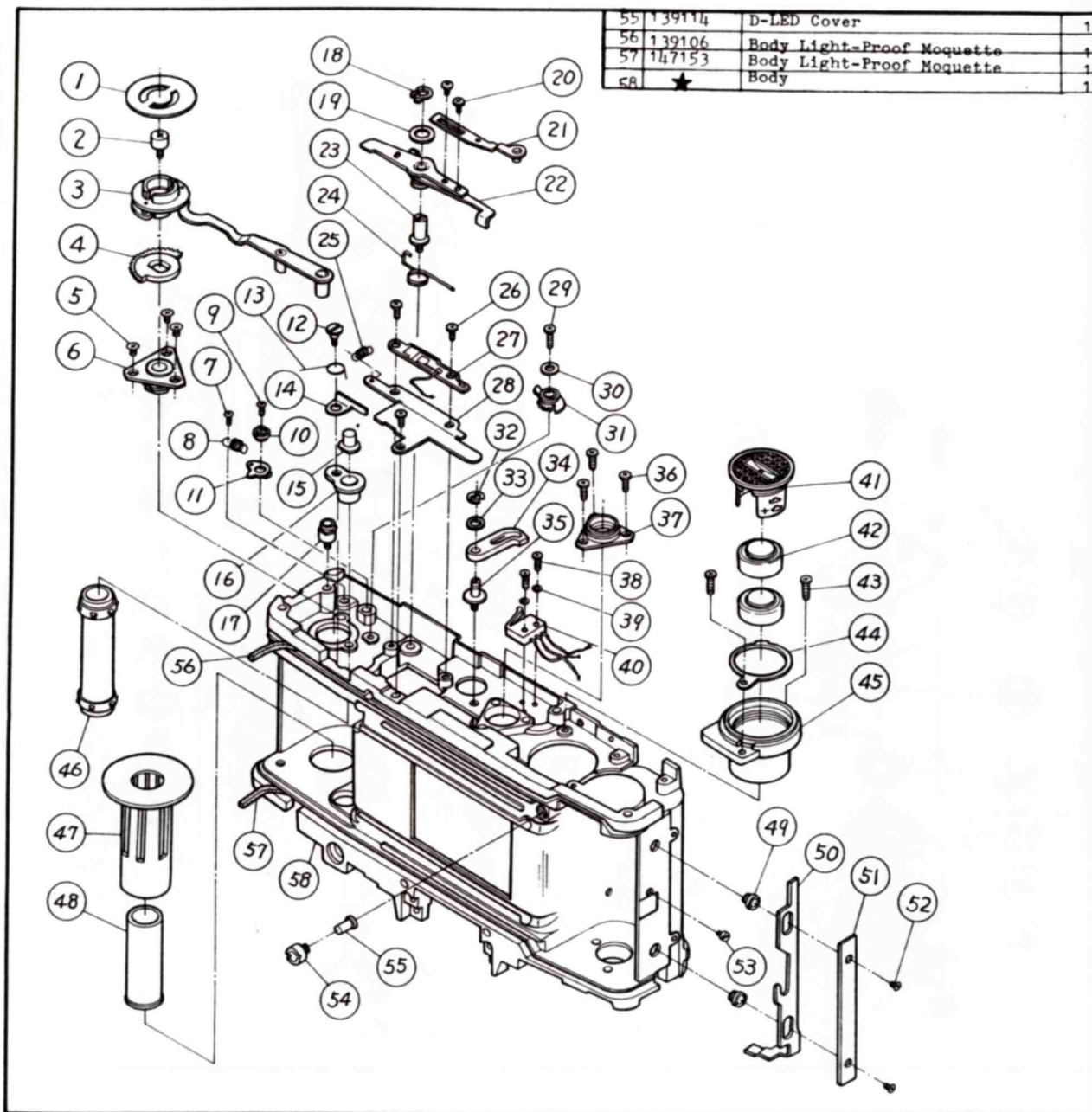
| | PARTS NO | DESCRIPTION | QTY |
|----|----------------------|-------------------------------------|-----|
| 1 | 6617202 ¹ | Snap Ring | 1 |
| 2 | 065715 | Correction Lock Lever Ass'y | 1 |
| 3 | 139327 | Correction Click Lever Spring | 1 |
| 4 | 139328 | Correction Intermediate Lever Sp. | 1 |
| 5 | 139332 | Corrective Lever Guide | 1 |
| 6 | 139319 | Corrective Lock Plate | 1 |
| 7 | ★ | ASA Contact Plate Ass'y | 1 |
| 8 | 61913022 | ASA Base Plate S.S. | 2 |
| 9 | 139033 | ASA Base Plate Ass'y | 1 |
| 10 | 139315 | P. Base Holder | 1 |
| 11 | 131814 | Check Insulating Plate | 1 |
| 12 | 131509 | P.S. Switch Washer | 1 |
| 13 | 131815 | Check Switch Washer | 1 |
| 14 | 139314 | Release Base | 1 |
| 15 | 6190352 ¹ | Combination Connector S.S. | 1 |
| 16 | ★ | EL-R Base Plate Ass'y | 1 |
| 17 | 61803022 | EL-R Base Plate S.S. | 2 |
| 18 | 139339 | Combination Connector | 1 |
| 19 | 6617202 ¹ | Snap Ring | 1 |
| 20 | 139324 | Corrective Intermediate Lever | 1 |
| 21 | 139326 | Corrective Intermediate Lever Shaft | 1 |
| 22 | 6617202 ¹ | Snap Ring | 2 |
| 23 | 139352 | S. Lock Lever | 1 |
| 24 | 139350 | S. Lock Lever Guide | 2 |
| 25 | 6191222 ¹ | Lock Plate Spring S.S. | 2 |
| 26 | 139121 | Lock Plate Spring | 1 |
| 27 | 61912522 | Shutter Base S.S. | 2 |
| 28 | 139343 | Rewind Shaft Spring | 1 |
| 29 | 065302 | S. Click Lever Ass'y | 1 |
| 30 | 139355 | S. Click Shaft | 1 |
| 31 | 139032 | Shutter Click Plate Ass'y | 1 |
| 32 | 139359 | Shutter Base S.S. | 1 |
| 33 | 139360 | S. Click Spring | 1 |
| 34 | 139344 | Shutter Base | 1 |
| 35 | 6192402 ¹ | Rewind Shaft Holder S.S. | 3 |
| 36 | 139341 | Rewind Shaft Holder | 1 |
| 37 | 139349 | Rewind Shaft Light-Proof Ring | 1 |
| 38 | ★ | Body | 1 |
| 39 | 139342 | Rewind Shaft | 1 |
| 40 | 6192402 ¹ | Shutter S.S. | 2 |
| 41 | 139201 | Complete Shutter | 1 |
| 42 | 6192402 ¹ | Shutter S.S. | 1 |

NOTE : (Parts with marked "★" are not Available)



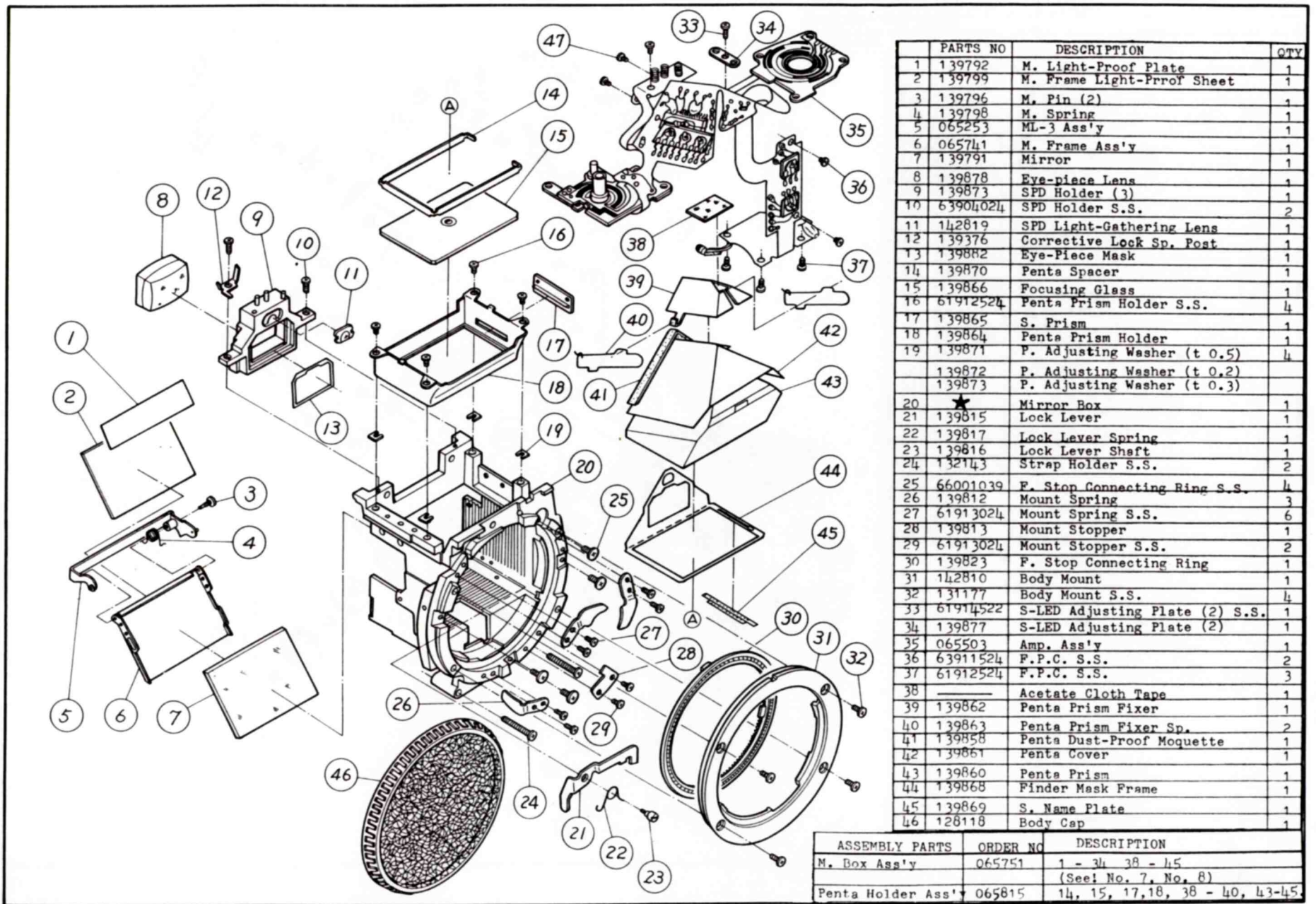
| | PARTS NO | DESCRIPTION | QTY |
|----|----------|---------------------------------|-----|
| 1 | 66701620 | Steel Ball | 11 |
| 2 | 139635 | Spool Gear | 1 |
| 3 | 139674 | Spool Gear Washer | 1 |
| 4 | 139639 | Friction Plate | 1 |
| 5 | 139640 | Friction Washer | 1 |
| 6 | 139638 | Friction Spring | 1 |
| 7 | 139636 | Spool Gear Nut | 1 |
| 8 | 62501424 | Spool Gear Nut S.S. | 1 |
| 9 | 60284110 | Washer | 1 |
| 10 | 139619 | W Shaft Rewind Spring | 1 |
| 11 | 61926024 | ME-W Lever S.S. | 1 |
| 12 | 60122110 | ME-W Lever Washer | 1 |
| 13 | 139626 | ME-W Lever | 1 |
| 14 | 139627 | ME-W Lever Shaft | 1 |
| 15 | 139628 | ME Connecting Lever Sp. | 1 |
| 16 | 61823524 | W Stopper S.S. | 1 |
| 17 | 61824524 | W Stopper S.S. | 1 |
| 18 | 139629 | W Stopper | 1 |
| 19 | 139656 | Anti-Rewind Proof Lever | 1 |
| 20 | 139657 | Anti-Rewind Proof Collar(Upper) | 1 |
| 21 | 139658 | Anti-Rewind Stopper Lever Sp. | 1 |
| 22 | 139624 | W Claw Spring | 1 |
| 23 | 065293 | W Shaft (B) Ass'y | 1 |
| 24 | 66001039 | Idle Gear (A) S.S. | 1 |
| 25 | 139630 | Idle Gear (A) | 1 |
| 26 | 139615 | W Base Plate Pole | 1 |
| 27 | 139625 | W Gear | 1 |
| 28 | 065200 | W Base Plate Ass'y | 1 |
| 29 | 139631 | Idle Gear (B) | 1 |
| 30 | 147437 | S.R. Lever (3) Shaft | 1 |
| 31 | ★ | Body | 1 |
| 32 | 61925024 | ME, Driving Lever S.S. | 1 |
| 33 | 139666 | ME, Lever Spring | 1 |
| 34 | 139662 | ME, Driving Lever Metal | 1 |
| 35 | 065234 | ME, Driving Lever Ass'y | 1 |
| 36 | 139644 | Sprocket Gear | 1 |
| 37 | 139650 | Sprocket Spring | 1 |
| 38 | 139647 | Sprocket Shaft | 1 |
| 39 | 63912524 | Counter Indicator S.S. | 1 |
| 40 | 139893 | Counter Indicator | 1 |
| 41 | 139891 | Counter Gear Stopper | 1 |
| 42 | 139892 | Counter Name Plate | 1 |
| 43 | 139887 | Counter Gear (1) | 1 |
| 44 | 139890 | Counter Spring | 1 |
| 45 | 139895 | Counter Lever Spring | 1 |
| 46 | 63928024 | Counter Base Plate S.S. | 1 |
| 47 | 63912524 | S.S. | 1 |
| 48 | 61902024 | W. Hangar Spring S.S. | 2 |
| 49 | 139612 | W. Hangar Spring | 1 |
| 50 | 065830 | Counter Base Plate Ass'y | 1 |
| 51 | 065292 | W Shaft (A) Ass'y | 1 |
| 52 | 139888 | Counter Gear (2) | 1 |

NOTE : (Parts with marked "★" are not Available)



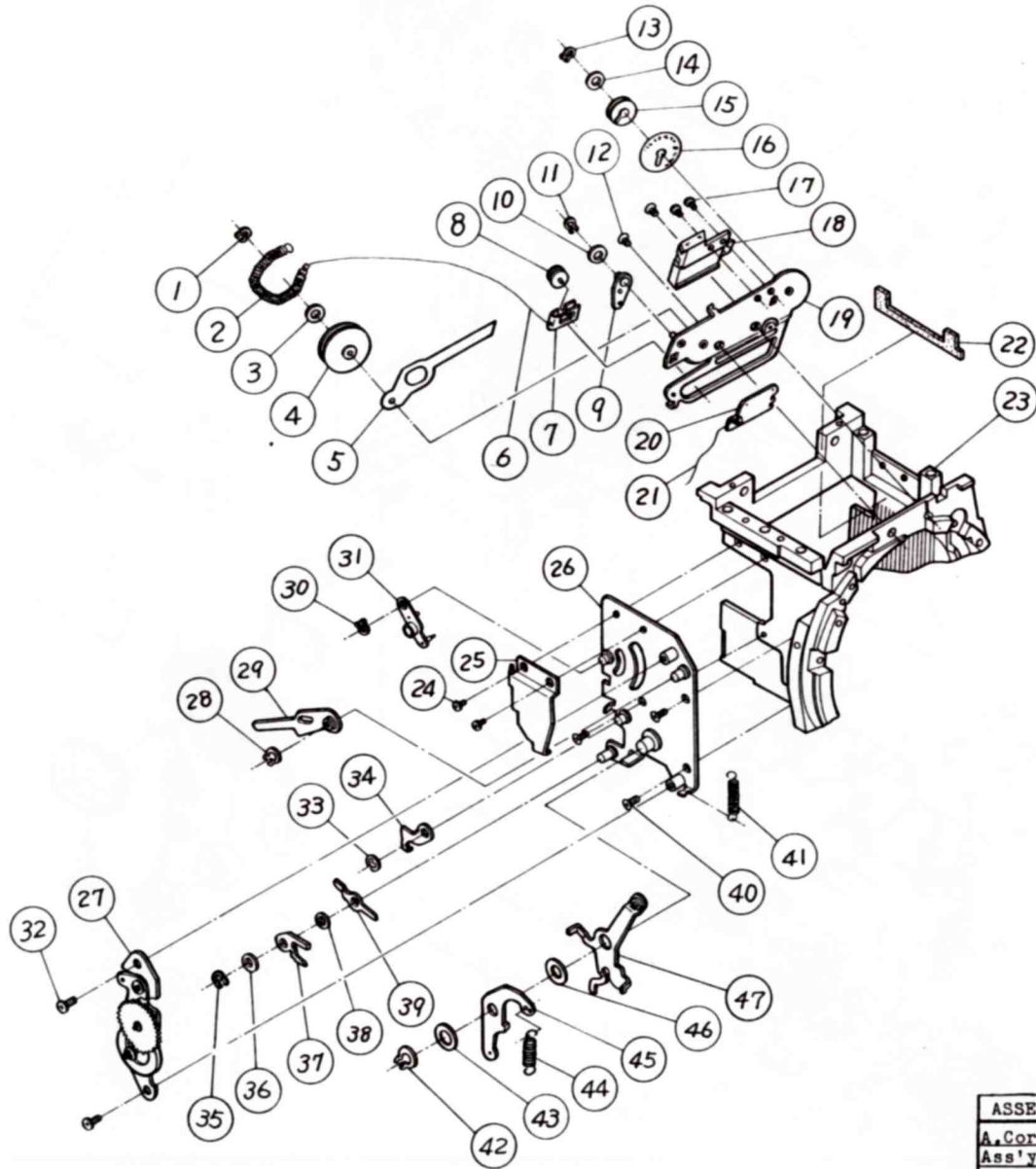
| PARTS NO | DESCRIPTION | QTY | |
|----------|-------------|----------------------------------|---|
| 1 | 139680 | MD Light-Proof Plate | 1 |
| 2 | 139637 | W. Shaft (B) S.S. | 1 |
| 3 | 065717 | MD Cap Ring Ass'y | 1 |
| 4 | 139667 | Anti-Rewind Cam Gear | 1 |
| 5 | 61822524 | W. Shaft Metal (Lower) S.S. | 3 |
| 6 | 139617 | W. Shaft Metal (Lower) | 1 |
| 7 | 61812024 | Anti-Rewind Proof Claw(A) Sp.SS | 1 |
| 8 | 139673 | Anti-Rewind Proof Claw(A) Sp. | 1 |
| 9 | 61813524 | Anti-Rewind Proof Claw Collar SS | 1 |
| 10 | 139672 | Anti-Rewind Proof Claw Collar | 1 |
| 11 | 139671 | Anti-Rewind Proof Claw (A) | 1 |
| 12 | 139653 | SP Reverse Lever Shaft | 1 |
| 13 | 139655 | SP Reverse Lever Spring | 1 |
| 14 | 139654 | SP Reverse Lever | 1 |
| 15 | 139651 | Sprocket Button | 1 |
| 16 | 139646 | Sprocket Metal | 1 |
| 17 | 139158 | Winder Fixing Pin | 1 |
| 18 | 66173024 | Snap Ring | 1 |
| 19 | 60253112 | W Obstruction Lever Washer | 1 |
| 20 | 63901524 | TF SW Lever (A) S.S. | 2 |
| 21 | 065436 | TF SW Lever (A) Ass'y | 1 |
| 22 | 065716 | W Obstruction Lever Ass'y | 1 |
| 23 | 139690 | W Obstruction Lever Shaft | 1 |
| 24 | 139691 | W Obstruction Spring (B) | 1 |
| 25 | 139688 | W Obstruction Spring (A) | 1 |
| 26 | 61913024 | Connector Base S.S. | 3 |
| 27 | 139697 | Connector Base | 1 |
| 28 | 139692 | SM Set Lever Fixer | 1 |
| 29 | 61916024 | Anti-Rewind Proof Gear S.S. | 1 |
| 30 | 60143110 | Anti-Rewind Proof Gear Washer | 1 |
| 31 | 065463 | Anti-Rewind Proof Gear Ass'y | 1 |
| 32 | 66101525 | Snap Ring | 1 |
| 33 | 60122610 | TF SW Lever(B) Washer | 1 |
| 34 | 139670 | TF SW Lever (B) | 1 |
| 35 | 139695 | TF SW Shaft | 1 |
| 36 | 61924022 | Tripod Socket S.S. | 3 |
| 37 | 139144 | Tripod Socket | 1 |
| 38 | 63904024 | TF SW S.S. | 2 |
| 39 | 60121510 | TF SW Washer | 2 |
| 40 | 139664 | TF SW | 1 |
| 41 | 065930 | Battery Cap Ass'y | 1 |
| 42 | ★ | Battery (G- 13 x 2) | - |
| 43 | 61914522 | Battery Case S.S. | 2 |
| 44 | 139154 | Battery Case Contact Plate(B) | 1 |
| 45 | 065110 | Battery Case Ass'y | 1 |
| 46 | 139648 | Sprocket | 1 |
| 47 | 139641 | Outside Spool | 1 |
| 48 | 305658 | Inside Spool | 1 |
| 49 | 131118 | Back Cover Lock Plate Shaft | 1 |
| 50 | 139120 | Back Cover Lock Plate | 1 |
| 51 | 139117 | Back Cover Lock Plate Cover | 1 |
| 52 | 131392 | Back Cover Lock Plate Cover SS | 2 |
| 53 | 131119 | Back Cover Lock Claw Guide | 1 |
| 54 | 139113 | Film Guide Pin | 1 |

NOTE : (Parts with marked "★" are not Available)



NOTE : (Parts with marked "★" are not Available)

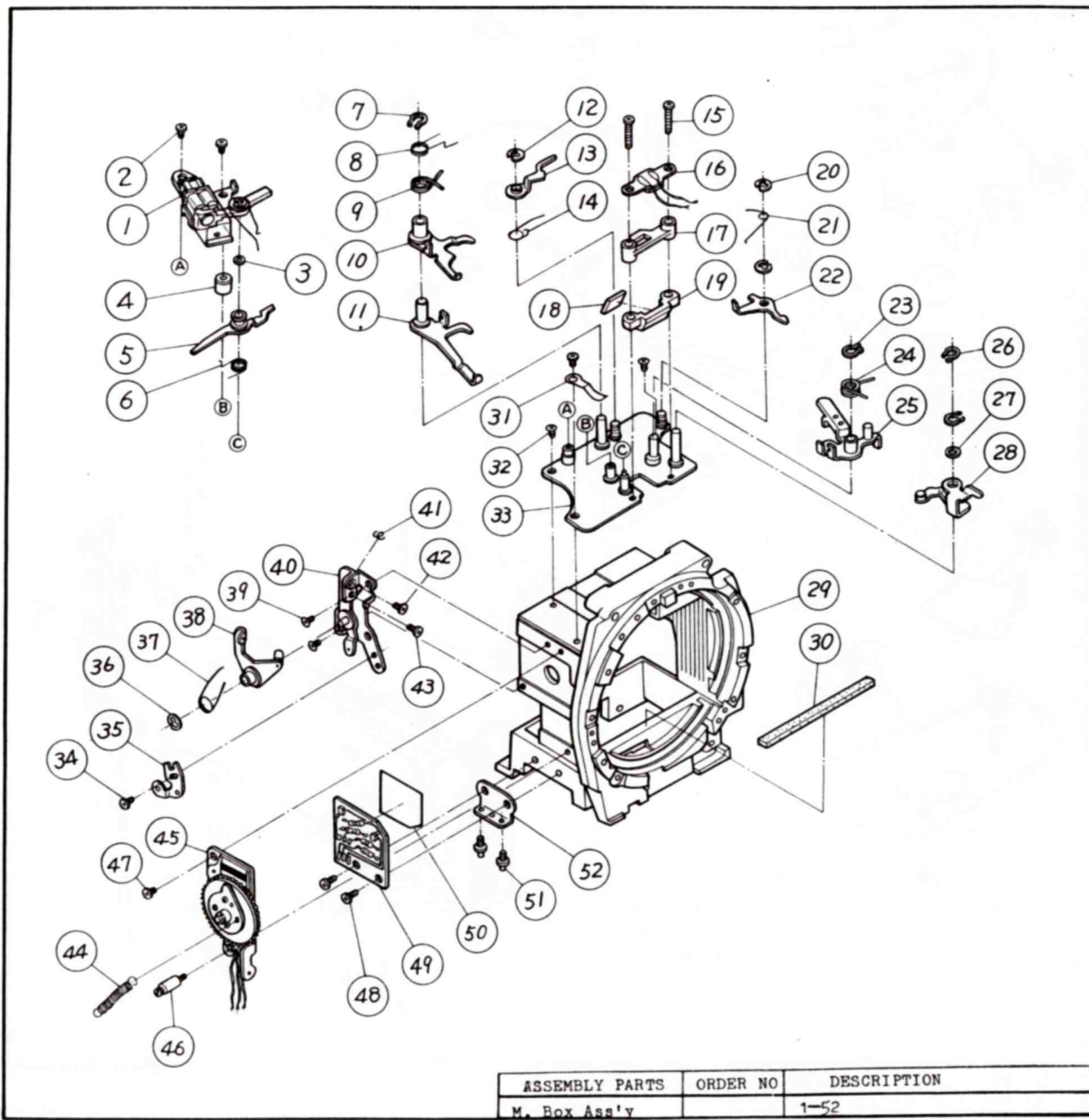
No. 6



| PARTS NO | DESCRIPTION | QTY |
|----------|---------------------------------------|-----|
| 1 | 66171524 Snap Ring | 1 |
| 2 | 139846 A Indicator Spring | 1 |
| 3 | 60131510 Washer | 1 |
| 4 | 139842 ASP Pulley | 1 |
| 5 | 139849 Exposure Corrective Flag | 1 |
| 6 | — Tectoron Lace (0.4 mm) | 1 |
| 7 | 139841 A Hook | 1 |
| 8 | 139839 A Pulley (2) | 1 |
| 9 | 139850 Exposure Corrective Flag Lever | 1 |
| 10 | 60131510 Washer | 1 |
| 11 | 66171524 Snap Ring | 1 |
| 12 | 61812524 A Indicator Base Plate S.S. | 2 |
| 13 | 66171524 Snap Ring | 1 |
| 14 | 60131510 Washer | 1 |
| 15 | 139843 A Name Plate Pulley | 1 |
| 16 | 139844 A Name Plate | 1 |
| 17 | 61902024 A Prism Base S.S. | 2 |
| 18 | 139083 A Prism Base Ass'y | 1 |
| 19 | 065356 A Indicator Base Plate Ass'y | 1 |
| 20 | 139845 A Exposure Corrective Plate | 1 |
| 21 | — Tectoron Lace (0.4mm) | 1 |
| 22 | 139859 M Moquette | 1 |
| 23 | ★ Mirror Box | 1 |
| 24 | 61901424 MC Light-Proof Plate S.S. | 2 |
| 25 | 139773 MC Light-Proof Plate | 1 |
| 26 | 065196 MC Base Plate Ass'y | 1 |
| 27 | 139073 GG Base Plate Ass'y | 1 |
| 28 | 66172024 Snap Ring | 1 |
| 29 | 065213 MCL-3 Ass'y | 1 |
| 30 | 66172024 Snap Ring | 1 |
| 31 | 065214 MCL-4 Ass'y | 1 |
| 32 | 63902024 GG Base Plate S.S. | 2 |
| 33 | 66101525 Snap Ring | 1 |
| 34 | 139770 MCL-5 | 1 |
| 35 | 60172024 Snap Ring | 1 |
| 36 | 60122110 MC Shaft-3 Washer | 1 |
| 37 | 139772 MCL-7 | 1 |
| 38 | 60142110 MC Shaft-3 Washer | 1 |
| 39 | 139771 MCL-6 | 1 |
| 40 | 61812524 MC Base Plate S.S. | 3 |
| 41 | 139761 MC Restore Spring | 1 |
| 42 | 66173024 Snap Ring | 1 |
| 43 | 60223122 MCL-1 Washer | 1 |
| 44 | 139760 MC Driving Spring | 1 |
| 45 | 065297 MCL-1 Ass'y | 1 |
| 46 | 60223122 MCL-2 Washer | 1 |
| 47 | 065212 MCL-2 Ass'y | 1 |

| ASSEMBLY PARTS | ORDER NO | DESCRIPTION |
|---------------------------|----------|-------------|
| A. Corrective Plate Ass'y | 065423 | 20-21 |
| M. Box Ass'y | 065751 | 1 - 47 |
| (See! page No. 6, NO. 8) | | |

NOTE : (Parts with marked "★" are not Available)

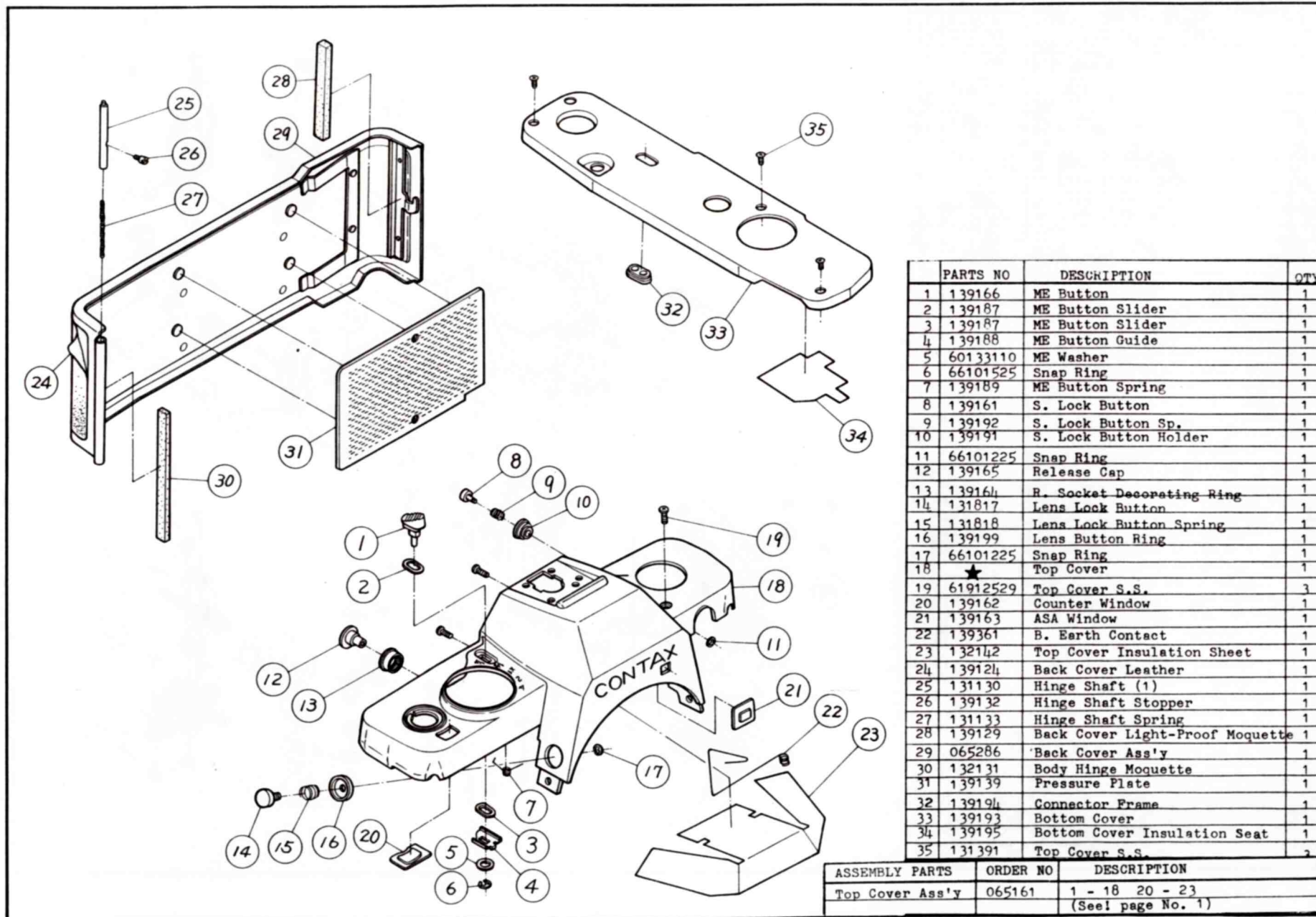


| | PARTS NO | DESCRIPTION | QTY |
|----|----------|-------------------------------|-----|
| 1 | 139071 | Release Magnet Ass'y | 1 |
| 2 | 61901422 | Release Magnet Fixer S.S. | 2 |
| 3 | 60421810 | Release Magnet Fixing Washer | 1 |
| 4 | 139710 | QR Stopper | 1 |
| 5 | 065204 | QRL-4 Ass'y | 1 |
| 6 | 139727 | QRL-4 Spring | 1 |
| 7 | 66172024 | Snap Ring | 1 |
| 8 | 139721 | QRL-2 Spring | 1 |
| 9 | 139724 | QRL-3 Spring | 1 |
| 10 | 065202 | QRL-2 Ass'y | 1 |
| 11 | 065203 | QRL-3 Ass'y | 1 |
| 12 | 66101525 | Snap Ring | 1 |
| 13 | 065205 | QRL-5 Ass'y | 1 |
| 14 | 139730 | QRL-5 Spring | 1 |
| 15 | 131371 | Self-Timer S.S. | 2 |
| 16 | 065597 | SPD Base Ass'y | 1 |
| 17 | 139736 | SPD Holder (2) | 1 |
| 18 | 139738 | SPD Mirror | 1 |
| 19 | 139735 | SPD Holder (1) | 1 |
| 20 | 66101525 | Snap Ring | 2 |
| 21 | 139732 | QRL-6 Spring | 1 |
| 22 | 139731 | QRL-6 | 1 |
| 23 | 66172024 | Snap Ring | 1 |
| 24 | 139716 | QRL-1 Spring | 1 |
| 25 | 065201 | QRL-1 Ass'y | 1 |
| 26 | 66172024 | Snap Ring | 2 |
| 27 | 60122110 | Washer | 1 |
| 28 | 065207 | QRL-7 Ass'y | 1 |
| 29 | ★ | Mirror Box | 1 |
| 30 | 139787 | Mirror Cushion | 1 |
| 31 | 131830 | Lead Wire Holder | 1 |
| 32 | 61912224 | QR Base Plate S.S. | 3 |
| 33 | 065198 | QR Base Plate Ass'y | 1 |
| 34 | 63911524 | ML-6 Fixer S.S. | 1 |
| 35 | 139809 | ML-6 | 1 |
| 36 | 66101525 | Snap Ring | 1 |
| 37 | 139808 | ML-4. 5. Spring | 1 |
| 38 | 065255 | ML-5 Ass'y | 1 |
| 39 | 61912224 | ML Base Plate S.S. | 2 |
| 40 | 065250 | ML Base Plate Ass'y | 1 |
| 41 | 139833 | ML Base Plate Spring | 1 |
| 42 | 61914022 | ML Base Plate S.S. | 1 |
| 43 | 61913024 | ML Base Plate S.S. | 1 |
| 44 | 139831 | AV Spring | 1 |
| 45 | 139081 | AVR Ass'y | 1 |
| 46 | 139830 | AVR Spring Post | 1 |
| 47 | 61912224 | AVR S.S. | 1 |
| 48 | — | Reinforcement Amp. S.S. | 2 |
| 49 | — | Reinforcement Amp. | 1 |
| 50 | — | Reinforcement Amp Fixer Paper | 1 |
| 51 | 139879 | S-LED Adjusting Screw | 2 |
| 52 | 139857 | S-LED Adjusting Plate (1) | 1 |

| ASSEMBLY PARTS | ORDER NO | DESCRIPTION |
|----------------|----------|-------------|
| M. Box Ass'y | | 1-52 |

(Remarks) Item No. 48, 49 & 50 Cancellation Parts

NOTE : (Parts with marked "★" are not Available) **No.8**



| PARTS NO | DESCRIPTION | QTY |
|----------|--|-----|
| 1 | 139166 ME Button | 1 |
| 2 | 139187 ME Button Slider | 1 |
| 3 | 139187 ME Button Slider | 1 |
| 4 | 139188 ME Button Guide | 1 |
| 5 | 60133110 ME Washer | 1 |
| 6 | 66101525 Snap Ring | 1 |
| 7 | 139189 ME Button Spring | 1 |
| 8 | 139161 S. Lock Button | 1 |
| 9 | 139192 S. Lock Button Sp. | 1 |
| 10 | 139191 S. Lock Button Holder | 1 |
| 11 | 66101225 Snap Ring | 1 |
| 12 | 139165 Release Cap | 1 |
| 13 | 139164 R. Socket Decorating Ring | 1 |
| 14 | 131817 Lens Lock Button | 1 |
| 15 | 131818 Lens Lock Button Spring | 1 |
| 16 | 139199 Lens Button Ring | 1 |
| 17 | 66101225 Snap Ring | 1 |
| 18 | ★ Top Cover | 1 |
| 19 | 61912529 Top Cover S.S. | 3 |
| 20 | 139162 Counter Window | 1 |
| 21 | 139163 ASA Window | 1 |
| 22 | 139361 B. Earth Contact | 1 |
| 23 | 132142 Top Cover Insulation Sheet | 1 |
| 24 | 139124 Back Cover Leather | 1 |
| 25 | 131130 Hinge Shaft (1) | 1 |
| 26 | 139132 Hinge Shaft Stopper | 1 |
| 27 | 131133 Hinge Shaft Spring | 1 |
| 28 | 139129 Back Cover Light-Proof Moquette | 1 |
| 29 | 065286 Back Cover Ass'y | 1 |
| 30 | 132131 Body Hinge Moquette | 1 |
| 31 | 139139 Pressure Plate | 1 |
| 32 | 139194 Connector Frame | 1 |
| 33 | 139193 Bottom Cover | 1 |
| 34 | 139195 Bottom Cover Insulation Seat | 1 |
| 35 | 131391 Top Cover S.S. | 2 |

| ASSEMBLY PARTS | ORDER NO | DESCRIPTION |
|-----------------|----------|------------------------------------|
| Top Cover Ass'y | 065161 | 1 - 18 20 - 23 (See page No. 1) |

NOTE : (Parts with marked "★" are not Available)