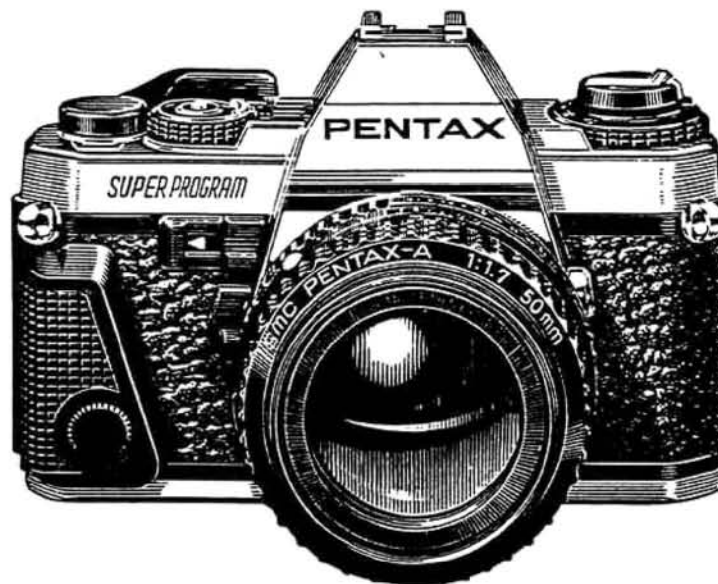


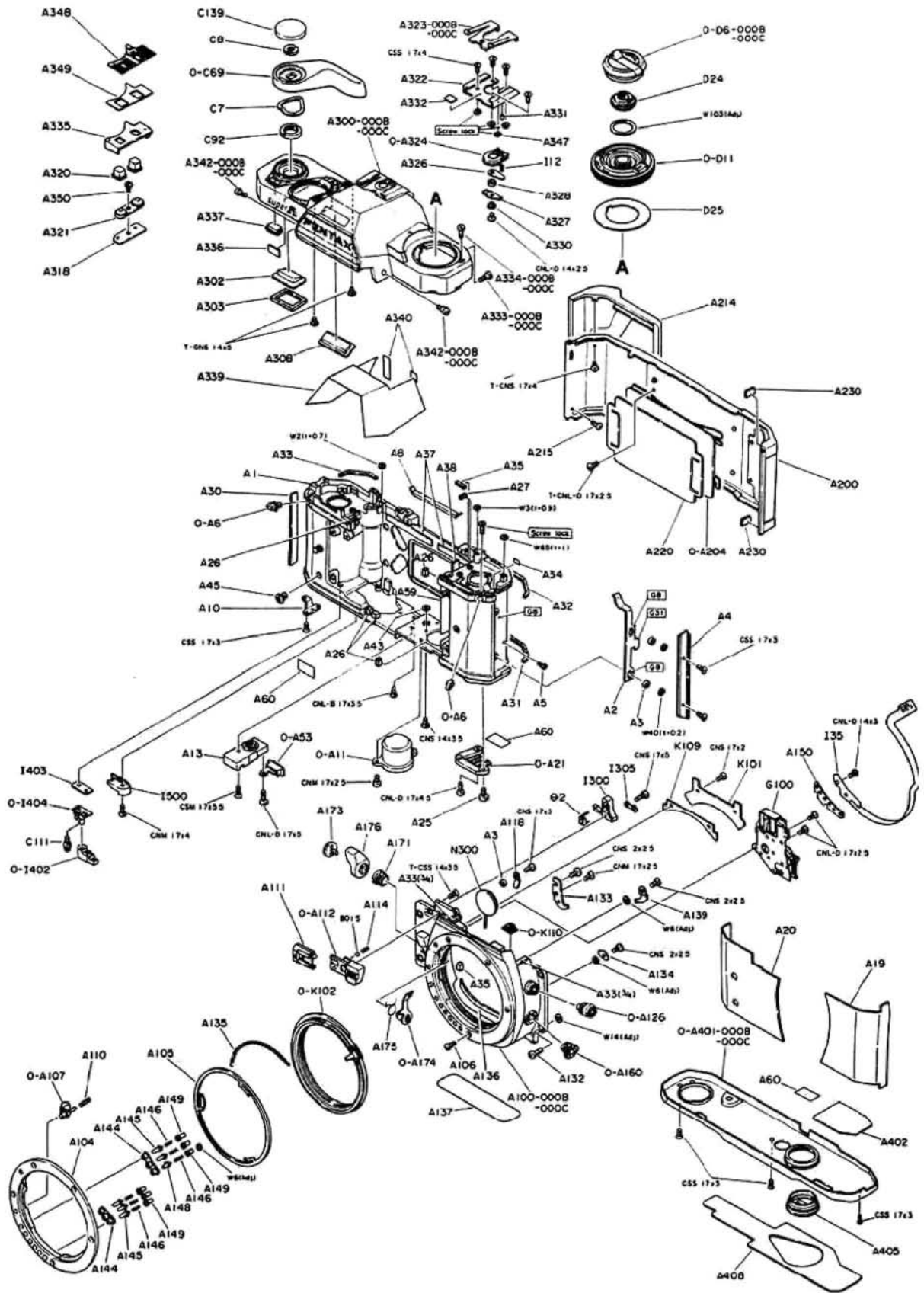
PRODUCT No.24500

PENTAX

SUPER PROGRAM



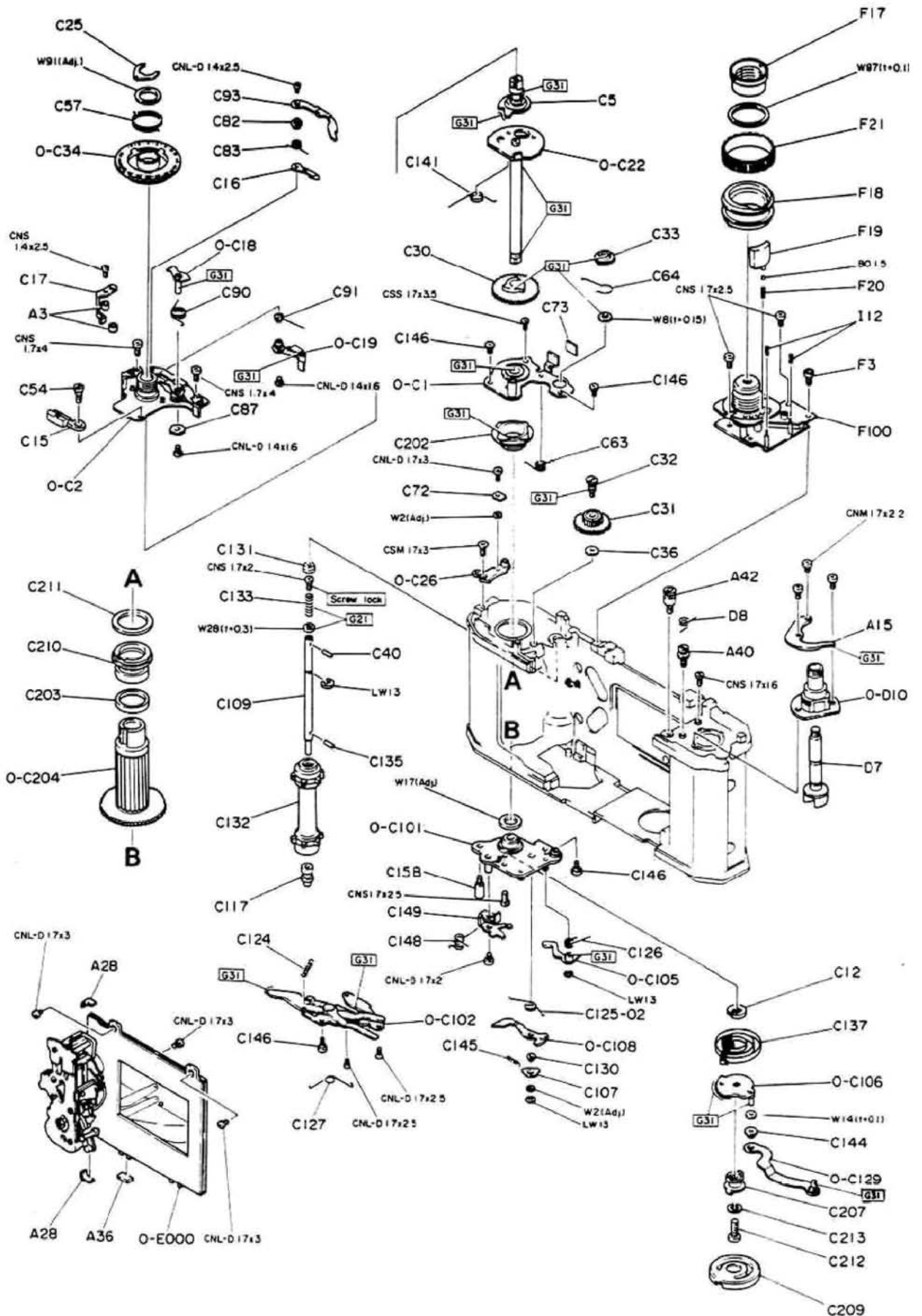
EXPLODED ILLUSTRATION



Product No.24500
PENTAX *super* **A1**

Fig. 1

EXPLODED ILLUSTRATION

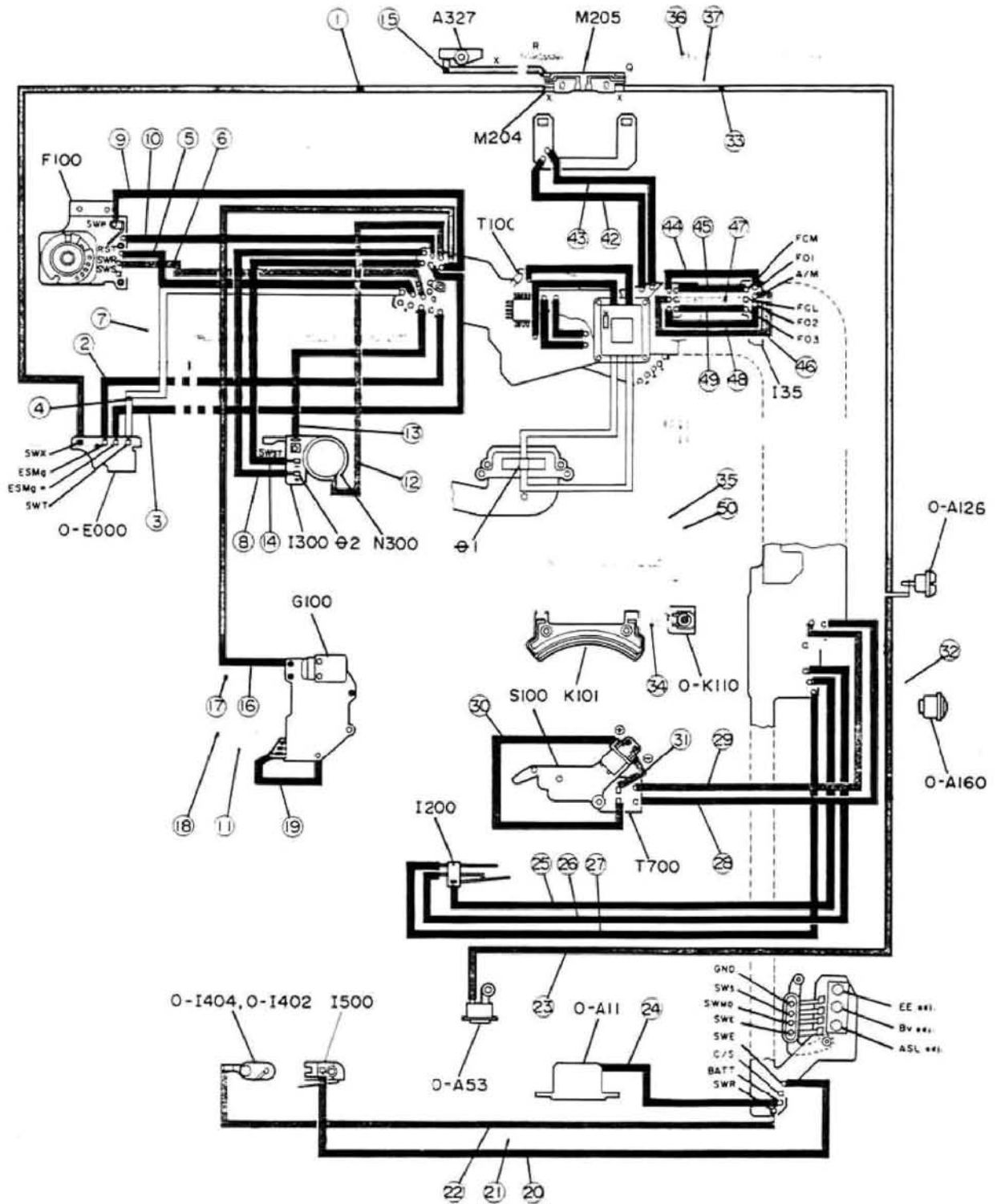


Product No.24500

PENTAX *super* A1

Fig. 3

DISTRIBUTING WIRES



LIST OF SERVICE PARTS

Product No.24500



- Note: 1. The parts with numbers starting '0-' are assemblies
 2. Only available parts are listed below.
 3.

Parts No.	Description	Quantity	Interchangeability
A2	Back cover key	1	23903-A2
A3	Back cover key collar	5	23903-A3
A4	Back cover key retainer plate	1	23903-A4
A5	Back cover guide screw	1	23903-A5
0-A6	Strap hook assy. (A6, A18)	2	23903-0-A6
A8	Shutter light seal cover	1	23903-A8
A10	Back cover shaft receptacle	1	24300-A10
0-A11	Battery case assy. (A11, A12)	1	
A13	Tripod seat	1	
A15	Back cover key retainer spring	1	23903-A15
A19	Body covering, left	1	
A20	Body covering, right	1	
0-A21	Connector assy. (A21, A57)	1	
A25	Connector retainer screw	1	
A26	Light seal D	5	23903-A26
A27	Light seal E	1	23903-A27
A28	Light seal F	2	23903-A28
A30	Light seal	1	23903-A30
A31	Light seal A	1	23903-A31
A32	Light seal B	1	23903-A32
A33	Light seal C	1	23903-A33
A34	Light seal tape	1	23903-A34
A35	Light seal H	3	23903-A35
A36	Light seal I	1	23903-A36
A37	Light seal	2	23903-A37
A38	Light seal J	1	23903-A38
A40	Installing screw A	1	
A41	Installing screw B	1	
A42	Installing screw C	1	
A43	Spacer B	1	
A45	Grip mount socket	1	
0-A53	Non-cord terminal assy. (A53, A54)	1	
A59	Insulation tape	1	
A60	Insulation tape	3	23906-A60
A100-000C -000B	Front board assy. (A101, A102, A104~A114, 0-A126, A131, A133 ~ A137, A139, A144, A145, A146, A148, A149, A150, A160~A164, A171~A176, K101, K102, K106, K107, K108, K109, K110, K111, CNS2x2.5 x3, CNS1.7x2 x2, CNM1.7x2.5, T-CNS1.4x3.5 x2, CNL-D1.4x2.5 x2, CNL-D1.4x3 x2, W6, W40 x4)	1	
A104	Mount ring	1	
A105	Mount spring	1	23903-A105
A106	Mount retainer screw	5	23903-A106

Parts No.	Description	Quantity	Interchangeability
0-A107	Mount lock button assy. (A107, A108, A109)	1	23903-0-A107
A110	Mount lock button spring	1	24300-A110
A111	Self-timer slide	1	
0-A112	Self-timer slide seat assy. (A112, A113)	1	
A114	Self-timer slide click spring	1	
A118	Buzzer lug plate	1	
0-A126	X-terminal assy.	1	24000-0-A116
A131	Light seal	2	23906-A131
A132	Front board retainer screw	4	23903-A132-01
A133	Lock pin supporter plate	1	
A134	Diaphragm coupler ring retainer A	1	24300-A134
A135	Restitution spring	1	23903-A135
A136	Light seal	1	24300-A136
A137	Scratch protection seal	1	23903-A137
A139	Diaphragm coupler ring retainer B	1	
A144	Exterior tube B	2	24300-A144
A145	Connector pin	5	24300-A145
A146	Connector pin spring	6	24300-A146
A148	Connector pin B	1	24300-A148
A149	Insulation collar	6	24300-A149
A150	Insulation plate	1	24300-A150
0-A160	Lighting switch button assy. (A160, A161, A162, A163, A164, A165, A166)	1	
A171	Preview lever seat	1	
A173	Preview lever retainer screw	1	
0-A174	Coupling lever assy. (A174, A172)	1	
A175	Preview lever spring	1	
A176	Preview lever	1	
A200	Back cover assy. (A201, A202, A203, A207, A208, A209, A210, A211, A212, A213, A214, A215, A219, A222 x4, A230 x2)	1	
0-A204	Pressure plate assy. (A204, A205, A206)	1	
A214	Memo holder	1	
A215	Memo holder retainer screw	1	65538-Y52
A220	Pressure plate cover	1	23903-A220
A230	Light seal	2	23903-A230
A300-000C -000B	Top cover assy. (A301, A302, A303, A308, A318, A320 x2, A321, A322, A323, A324, A325, A326, A327, A328, A330, A331, A332, A33 5, A336, A337, A339, A340 x2, A344 x2, A348, A349, CSS1.7x4 x4, T-CNS1.4x5 x2)	1	
A302	LCD display window	1	
A303	LCD light seal	1	
A308	LCD lighting window	1	
A318	Switchboard	1	
A320	Control button	2	
A321	Control switch	1	23903-A321
A322	Accessory shoe	1	23903-A322
A323-000C -000B	Accessory shoe spring	1	23903-A323-000C -000B
0-A324	Accessory shoe base assy. (A324, A325, A344 x2)	1	
A326	Contact spring A	1	23903-A326
A327	Contact spring B	1	23903-A327

Parts No.	Description	Quantity	Interchangeability
A328	Collar	1	23903-A328-02
A330	Insulation washer	1	23903-A330-02
A331	SW pin	1	23903-A331
A332	Indication plate	1	23903-A332
A333-000C -000B	Top cover retainer screw A	2	24300-A333-000C -000B
A334-000C -000B	Top cover retainer screw B	1	23903-A334-000C -000B
A335	Shutter indicator base	1	
A336	Window A	1	23903-A336
A337	Window B	1	24300-A337
A339	Insulation tape	1	23903-A339
A340	Insulation tape	2	23903-A340
A342-000C -000B	Top cover retainer screw C	2	23903-A342-000C -000B
A347	Accessory shoe retainer nut	4	23903-A347
A348	Shutter indicator plate	1	
A349	Shutter indicator plate adhesive tape	1	
A350	Retainer screw	1	23903-A348
0-A401-000C -000B	Bottom cover assy. (A401, A60, A402, A408)	1	
A402	Insulation tape	1	
A405	Battery cap	1	23903-A405
A408	Scratch protection tape	1	23906-A408
0-B000	Mirror housing complete assy. (B1~B7, B9~B19, B21, BZ3, B24, B25, B27, B28, B30~B39, B41, B42 x2, B43, B44, B47, B51~ B55, B60, B61, B70, B72, B73, B75, B81, B83, B84, B86, B92, B97, B101, B102, B103, B105, B107, B108, B109, B111, B201, B202, B203 x2, B204, 6205 x4, B206, B207, B208, B209 x2, B210, B215, B241, B242, B243, B245~B248, I 200, I 211, L1, M21, M23, M26, M27, CSS 1.7x1.6 x2, CNS1.4x1.4 x4, CNS1.7x1.6 x4, CNM1.4x1.5 x3, CNM1.7x1.8 x2, CNM1.7x2.5 x2. CNM1.7x4.5, CNL- D1.4x1.6, CNL-D1.4x2 x3, CNL-D1.4x5, CNL-D1.4x5.5, CNL-E1.4x4, CNL-F 1.7x2. 5, W*, W57, W89 x2, W106, LW10 x2, LW20)	1	
B4	Supporter plate, right	1	
B5	Supporter plate, left	1	
B6	Supporter plate, left retainer screw	1	
B7	Hook lever	1	
B8	Hook lever axis	2	
B9	Slide plate retainer nut A	1	
B10	Slide plate retainer nut B	1	
0-B11	Mirror actuator lever assy. (B11, B210)	1	
0-B12	Diaphragm coupler lever assy. (B12, B13, B15, B81, B83, B84, B208)	1	
0-B16	Restitution link A assy. (B16, B17, B19, B36)	1	
B18	Collar A	1	24300-B18
B23	Release lever shaft		24300-B23
B24	Release lever		24300-B24
B25	Restitution actuator lever hook plate	1	23906-B25
B28	Mirror up lever	1	
0-B30	Restitution actuator lever assy. (B30, B31, B33, B47)	1	

Parts No.	Description	Quantity	Interchangeability
0-B34	MD & TL switch lever assy. (B34, B35, B39)	1	
B38	Shock absorber lever	1	
B39	Insulation tube	1	
B40	Stopper plate	1	
B41-00A	Shock absorber rubber A (L=2.0mm)	1	
-00B	" B (L=2.2mm)		
-00C	" C (L=2.4mm)		
B43	Slide plate stopper collar	1	
B44	Charge roller	1	
B45	Spacer	1	
B51	Mirror actuator collar	1	
B52-00A	Shock absorber collar A (D=4.4mm)	1	23903-B52-00A
-00B	" B (D=4.0mm)		-00B
-00C	" C (D=3.8mm)		-00C
-00D	" D (D=3.6mm)		-00D
-00E	" E (D=3.4mm)		-00E
B54	Diaphragm actuator lever restitution collar	1	
0-B55	Mirror seat assy. (B55, B2, B3, B201, B202, B203 x2, B204, B205 x4, B206, B209, LW10 x2)	1	
B60	Light seal	1	24300-B60
B72	Light seal plate	1	
B73	Light seal plate adhesive tape	1	
B75	Cover	1	
0-B90	Dumper plate assy. (B90, B91)	1	
B93	Spring hooker	1	
B94	Friction washer	1	
B101-00A	Mirror seat restitution spring A	1	
-00B	" B		
B102	Diaphragm actuating lever spring	1	24300-B102
B103	Stop-down spring	1	
B105	Hook lever restitution spring	1	
B107	Release lever restitution spring	1	24300-B107
B108	Mirror flip-up spring	1	
B109	Mirror restitution spring	1	
B111	Shock absorber lever spring	1	
B112	Dumper plate spring	1	
B201	Light seal curtain	1	23906-B201
B203	Collar	2	23903-B203
B207	Washer	1	
B215	Mirror adhesive tape	1	23906-B215
B238	Mirror seat light seal	2	24300-B238
B239	Mirror restitution spring silencer	1	24300-B239
0-B241	Stop-down lever assy. (B241, B242, B243)	1	
0-B245	Slide plate assy. (B245, B246, B247, W106)	1	
B248	Slide plate spring	1	
B400	Mirror flip-up governor (B401, B402, B403, B404 x3, B405, B406, B407, B409, B410, B412)	1	
0-C1	Top mech. plate assy. (C1, C13, C20, C27, C28, C29, C37, C43, C46, C63, C66, C142, F6)	1	
0-C2	Winding seat assy. (C2, C6, C16, C17, C18, C19, C41, C53, C82, CS3, C84, C85, C86, C87, C90, C91, C93)	1	
C5	Winding lever click cam	1	
C7	Winding lever friction spring	1	23903-C7-01

Parts No.	Description	Quantity	Interchangeability
C8	Winding lever nut	1	23903-C8
C12	Winding spring hook collar	1	
C15	Counter dial indicator	1	
C16	Receiving claw	1	24300-C16
C17	Winding lever click spring	1	
0-C18	Transporting claw assy. (C18, C86, C89)	1	24300-0-C18
0-C19	Counter dial actuator lever assy. (C19, C84)	1	24300-0-C19
0-C22	Winding shaft assy. (C22, C48, C140, C141, C154, C201)	1	
C25	Counter dial retainer plate	1	23903-C25
0-C26	Winding stopper assy. (C26, C42)	1	24300-0-C26
C30	Main gear	1	24300-C30
C31	2nd gear	1	24300-C31
C32	2nd gear shaft	1	24300-C32
C33	Sprocket gear	1	24300-C33
0-C34	Counter dial assy. (C34, C35)	1	
C36	2nd gear washer	1	24300-C36
C40	Sprocket shaft pin	1	24300-C40
C54	Counter dial indicator retainer screw	1	
C57	Counter dial spring	1	23903-C57
C63	Cam lever spring	1	23903-C63
C64	Silent ratchet spring	1	23903-C64
0-C69	Winding lever assy. (C69, C70)	1	
C72	Winding shaft retainer	1	24300-C72
C73	Transporting marker	1	23903-C73
C82	Receiving claw retainer collar	1	
C83	Receiving claw spring	1	24300-C83
C87	Counter dial transporting gear	1	24300-C87
C90	Transporting claw spring	1	
C91	Counter dial actuator lever spring	1	
C92	Top cover retainer nut	1	
C93	Shutter speed fixing lever	1	
0-C101	Bottom mech. plate assy. (C101, C116, C118, C120, C147, C156)	1	
0-C102	Winding guide plate assy. (C102, C103, C104, C112, C113, C114, C124, C127)	1	
0-C105	R lever assy. (C105, C119)	1	23903-0-C105
0-C106	Winding lever ratchet wheel assy. (C106, C 121, C122, C128)	1	23903-0-C106-01
C107	Winding lever ratchet	1	23903-C107
0-C108	Winding hook lever assy. (C108, C157)	1	
C109	Sprocket shaft	1	
C111	Plate retainer screw	1	
C117	R button	1	
C124	Winding hook coupler spring	1	
C125-02	Hook lever spring	1	
C126	R lever spring	1	23903-C126
C127	Mirror charge lever spring	1	23903-C127
0-C129	Shutter charge lever assy. (C129, C115, C123)	1	23903-0-C129
C130	Winding ratchet collar	1	23903-C130
C131	Sprocket collar	1	23903-C131
C132	Sprocket	1	23903-C132

Parts No.	Description	Quantity	Interchangeability
C133	Sprocket spring	1	23903-C133
C135	Sprocket pin	1	
C137	Winding shaft restitution spring	1	
C139	Winding lever cover	1	
C141	Winding ratchet spring	1	24300-C141
C144	Shutter charge collar	1	23903-C144
C145	Winding ratchet spring	1	23903-C145
C146	Seat plate retainer screw	4	23903-C146
C148	Bottom release lever spring	1	
C149	Bottom release lever	1	
C158	MD guide screw	1	
C202	Spool cam	1	23903- C202
C203	Friction ring	1	23903-C203
0-C204	Spool assy. (C204, C205 x14, C206, C208)	1	23903-0-C204
C207	Joint	1	
C209	Joint cover	1	
C210	Spool cam receptacle	1	23903-C210
C211	Light seal washer	1	23903-C211
C212	Joint retainer screw	1	
C213	Spring washer	1	23906-C213
0-D6-000C -000B	Rewinding knob assy. (D6, D1, D2, D3, D4, D5, CNS 1.4x2 x2)	1	
D7	Rewinding shaft	1	
D8	Rewinding shaft spring	1	
0-D10	Rewinding shaft bearing assy. (D10, D9)	1	
0-D11	ASA/ISO dial assy. (D11, D12, D13, D14, D15, D16, D17, D18, D19, D20, D21, D23 x3)	1	
D24	Nut	1	
D25	Ring sheet	1	
0-E000	Shutter block	1	
F3	Shutter dial seat retainer screw	1	
F17	Nut	1	
F18	Shutter dial	1	
F19	Lock button	1	
F20	Click spring	1	
F21	Shutter dial rubber ring	1	
F100	Shutter dial block	1	
G100	Diaphragm control block	1	
I 12	Contact spring	4	24300-A369
I 35	Connector board	1	
I 200	MD & TL switch	1	
I 211	MD & TL distributing wire holder	1	
I 300	Self-timer switch	1	
I 305	Cord holder	1	
0-I 402	Release pin collar assy. (I 402, I 406, I 407)	1	
I 403	Insulation sheet	1	
0-I 404	Bottom release switch board assy. (I 404, I 405, I 408)	1	
I 500	Wind completion switch	1	
K101	f-volume	1	
0-K102	Diaphragm coupler ring assy. (K102, K106, K107, K108, CNL-D1.4x2.5 x2)	1	

Parts No.	Description	Quantity	Interchangeability
K109		1	
0-K110	f-volume compensation VR assy. (K110, K111)	1	
L1	Mirror	1	23906-L1
L2	Fresnel lens	1	
L3	Penta prism	1	
0-L4	Eyepiece assy. (L4, L5)	1	
L6	Small mirror A	3	
L7	Small mirror B	1	
L8	Small mirror A adhesive tape	3	
L10	Prism	1	
L11	Small mirror B adhesive tape	1	
M2	Prism seat	1	
M4	Finder mask	1	
M5	Fresnel lens frame	1	23906-M5
M8	Prism protection sheet	2	23903-M8
M22	Fresnel Lens holder A	1	24300-M22
0-M23	Fresnel lens holder B assy. (M23, M26, M27)	1	24300-0-M23
M28	Focus adjusting screw	3	23906-M28
M30	Prism installing plate	1	
0-M31	LCD installing plate assy. (M31, M32, M33, M34)	1	
M35	Prism installing plate adhesive tape	1	
M201	Eyepiece frame	1	
M202	Light metering lens	2	23903-N3
M203	Eyepiece protection	1	24300-N7
M204	Shoe contact piece C	1	
M205	Shoe board	1	
M206	Light seal	1	23906-B63
N300	Piezo-electric buzzer	1	
⊖ 1	Lamp	1	
⊖ 2	Self-timer LED	1	
S100	Release magnet block	1	
T1	Cell frame	1	
T2	Condenser lens	1	
T100	P. C. board assy.	1	
T700	Release magnet P. C. board assy.	1	

LIST OF STANDARD PARTS

Product No.24500



Small screws:

Description (Code)	Surface treatment	Position of use	Quantity
CSS 1.7x3.0(1102301)	Black nickel	A1, A10	2
		A1, A2, A4	2
CSS1.7x3.0 (1102300)	Nickel	A1, 0-A401	3
CSS1.7x3.5 (1102351)	Black nickel	A1, 0-C1	1
CSS1.7x4.0 (1 102401)	"	A300, A322	4
CNS1.4x1.4 (1081145)	Black nickel (PB-G50)	0-B000, 0-M23	2
CNS1.4x1.4 (1081141)	Black nickel	0-B000, M22	2
CNS1.4x1.6 (1081161)	"	0-M31, T100	2
CNS1.4x2.0 (1081201)	"	S100, 0-B000	2
CNS1.4x2.5 (1081251)	"	0-C2, C17	1
CNS1.4x3.5 (1081351)	"	A1, 0-B000	1
CNS1.7x1.5 (1082151)	"	0-B000, B40	1
CNS1.7x1.6 (1082161)	"	0-B000, B400	2
		0-B000, T700	2
		A1	1
CNS1.7x2.0 (1082201)	"	A100, K101	2
		C40, C109	1
CNS1.7x2.5 (1082251)	"	A1, 0-C101	
		A1, F100	2
CNS1.7x3.0 (1082301)	"	A3, A100, A118	1
CNS1.7x3.5 (1082351)	"	0-B000, M2	2
CNS1.7x4.0 (1082401)	"	A1, 0-C2	1
CNS1.7x5.0 (1082501)	"	A100, I300	1
CNS1.7x5.7 (108257 1)	"	A1, 0-A6	2
CNS2.0x2.5 (1083251)	"	A100, A139	1
		A100, A133	1
		A100, A134	1
CSM1.7x3.5 (1112351)	"	A1, 0-C26	1
CSM1.7x5.5 (1112551)	"	A1, A13	1
CNM1.4x1.5 (1091151)	"	0-B000, B4	3
CNM1.7x1.8 (1092181)	"	0-B000, B5	2
CNM1.7x2.2 (1092221)	"	A1, 0-D10	3
CNM1.7x2.5 (1092251)	"	A1, 0-A11	2
		A100, A133	1
		0-B000, B75	2
CNM1.7x3.0 (1092301)	"	A100, 0-B000	2
CNM1.7x4.0 (1092401)	"	A1, T100	1
		A1, I500	1
CNM1.7x4.5 (1092451)	"	0-B000, I 200	1
CNM2.0x3.0 (1093301)	"	A100, 0-B000	2
CNL-B1.7x3.5 (1152351)	"	A1, B45	1
CNL-D1.4x1.6 (1171161)	"	0-B000, 0-B16	1
		0-B30, B44	1
		0-C2, 0-C18, C87	1
		0-C2, 0-C19	1
CNL-D1.4x1.8 (1171181)	"	0-B000, 0-B90, B93	1

Description (Code)	Surface treatment	Position of use	Quantity
CNL-D1.4x2.0 (1171201)	Black nickel	0-B000, 0-B16	1
		0-B000, B38	1
		B4, T100	1
		0-C101, C149	1
CNL-D1.4x2.5 (1171251)	"	0-A324, A326	1
		0-C2, C93	1
CNL-D1.4X3.0 (1171301)	"	A100, I 35	2
CNL-D1.4x4.5 (1171451)	"	0-B000, B7, B8	1
CNL-D1.4x5.5 (1171551)	"	0-B000, B8, B28	1
CNL-D1.7x2.5 (1172251)	"	A1, 0-B000	2
		A1, 0-C102	2
		A100, G100	2
		A100, 0-M31	2
CNL-D1.7x3.0 (1172301)	"	0-C26, C72	1
CNL-D1.7x3.0 (1172309)	Black zinc	A100, 0-E000	3
CNL-D1.7x4.0 (1172401)	Black nickel	0-B000, M2, M201	2
CNL-D1.7x4.5 (1172451)	"	A1, 0-A21	1
		0-B000, T1, T100	2
CNL-D1.7x5.0 (1172501)	"	A1, A13, 0-A53	1
CNL-E1.4x4.0 (1181401)	"	0-B000, 0-B 11, 0-B241	1
CNL-F1.7x2.5 (1192251)	"	0-B000, B24	1
T-CSS1.4x3.5 (1601351)	"	A100, 0-A112	1
T-CNS1.4x2.8 (1581281)	"	0-L4, M201	1
T-CNS1.4x5.0 (1581281)	"	A300, A335	2
T-CNS1.7x4.0 (1581501)	"	A200, A214	1
T-CNL-D1.7x4.0 (1672401)	"	M201, M204, M205	2
Set-T1.4x3.5	"	0-M31	1
Set-T1.7x4.0	"	L3, M2	2

Washers:

Description	Material	Thickness	Position of use	Quantity
W1	Brass	0.1, 0.15, 0.2	T100, 0-M31	2
W2	"	0.1	A1, 0-A401	2
		0.1, 0.15, 0.2	0-C101, C107	1
		0.1, 0.15, 0.2	0-B000, B400	2
		0.7	A1, F100	1
W3	"	0.9	A1, T100	1
W6	"	0.1, 0.15, 0.2	A100, A139	1
		0.1, 0.15, 0.2	A100, A149	1
		0.1, 0.15, 0.2	A100, A134	1
W8	"	0.05, 0.07	0-C101, 0-C108	1
		0.1	0-B000, B7	1
			0-B000, B28	1
		0.15	A1, C33	1
W14	"	0.1	0-C106, C144	1
		0.05, 0.1, 0.15, 0.2	A1, 0-B000	2
W17	"	0.2, 0.3, 0.4	0-C101, 0-C204	1
W20	"	0.2	T100	1
W27	"	0.05, 0.07	C82, C93	1
W28	"	0.3	C109, C133	1
W40 (B-BO)	"	0.2	A2, A4	2
W57	"	0.2	0-B000, 0-B12	1
W65	"	1.0	A1, T100	1

Description	Material	Thickness	Position of use	Quantity
W89	"	0.1	0-B000, B18	1
		0.2	0-B000, B38	1
W91	"	0.05, 0.07	C25, 0-C34	1
W97	"	0.1	F17, F18	1
W103	"	0.1, 0.15	0-D11-01, D24	1
W109	"	0.05, 0.08	B8, B245	1

Lock washers:

Description	Position of use	Quantity
LW10	0-B000, B25	1
	0-B55, B203	2
LW13	0-C101, C107	1
	0-C101, 0-C105	1
	C109, C133	1
LW20	0-B000, 0-B30	1

Ball:

Description	Material	Diameter	Position of use	Quantity
BO1.5	Steel	1.5mm	0-A112, A114	1

Lead wires:

Lead wire No.	Length	Color	Position of use	Quantity
1	55mm	Gray	0-E000, M204	1
2	30	Brown	0-E000, T100	1
3	35	Red	0-E000, T100	1
4	30	White	0-E000, T100	1
5	40	Green	0-E000, T100	1
6	40	Orange	T100, F100	1
7	40	Sky blue	T100, F100	1
8	35	Blue	T100, \varnothing 2	1
9	40	Red	T100, F100	1
10	40	Blue	T100, F100	1
11	65	Sky blue	G100, T100	1
13	35	Purple	I 100, T100	1
14	40	Black	\varnothing 2, T100	1
15	50	Gray	A327, M204	1
16	35	Gray	G100, M205	1
17	35	Pink	G100, T100	1
18	65	Yellow	G100, T100	1
19	20	Black	C100	1
20	70	Purple	I 100, T100	1
21	65	Sky blue	0-I 404, T100	1
22	70	Orange	0-I 402, T100	1
23	90	Gray	0-A53, 0-A126	1
24	40	Red	0-A11, T100	1
25	45	Purple	I200, T100	1
26	50	Purple	I200, T100	1
27	50	Green	I200, T100	1

Lead wire No.	Length	Color	Position of use	Quantity
28	35mm	Blue	T100, T700	1
29	35	Orange	T100, T700	1
30	30	Blue	S100, T100	1
31	30	Orange	S100, T100	1
32	30	Pink	0-A160, T100	1
33	65	Gray	0-A126, M205	1
34	13	Yellow	K101, T100	1
35	55	Yellow	K101, T100	1
36	75	Pink	T100, M205	1
37	55	Sky Blue	T100, M205	1
40	25	Black	T100	1
41	25	Purple	T100	1
44	13	Brown	I35, T100	1
45	13	Red	I35, T100	1
46	13	Orange	I35, T100	1
47	13	Yellow	I35, T100	1
48	13	Green	I35, T100	1
49	13	Blue	I35, T100	1
50	15	Yellow	K101, 0-K110	1