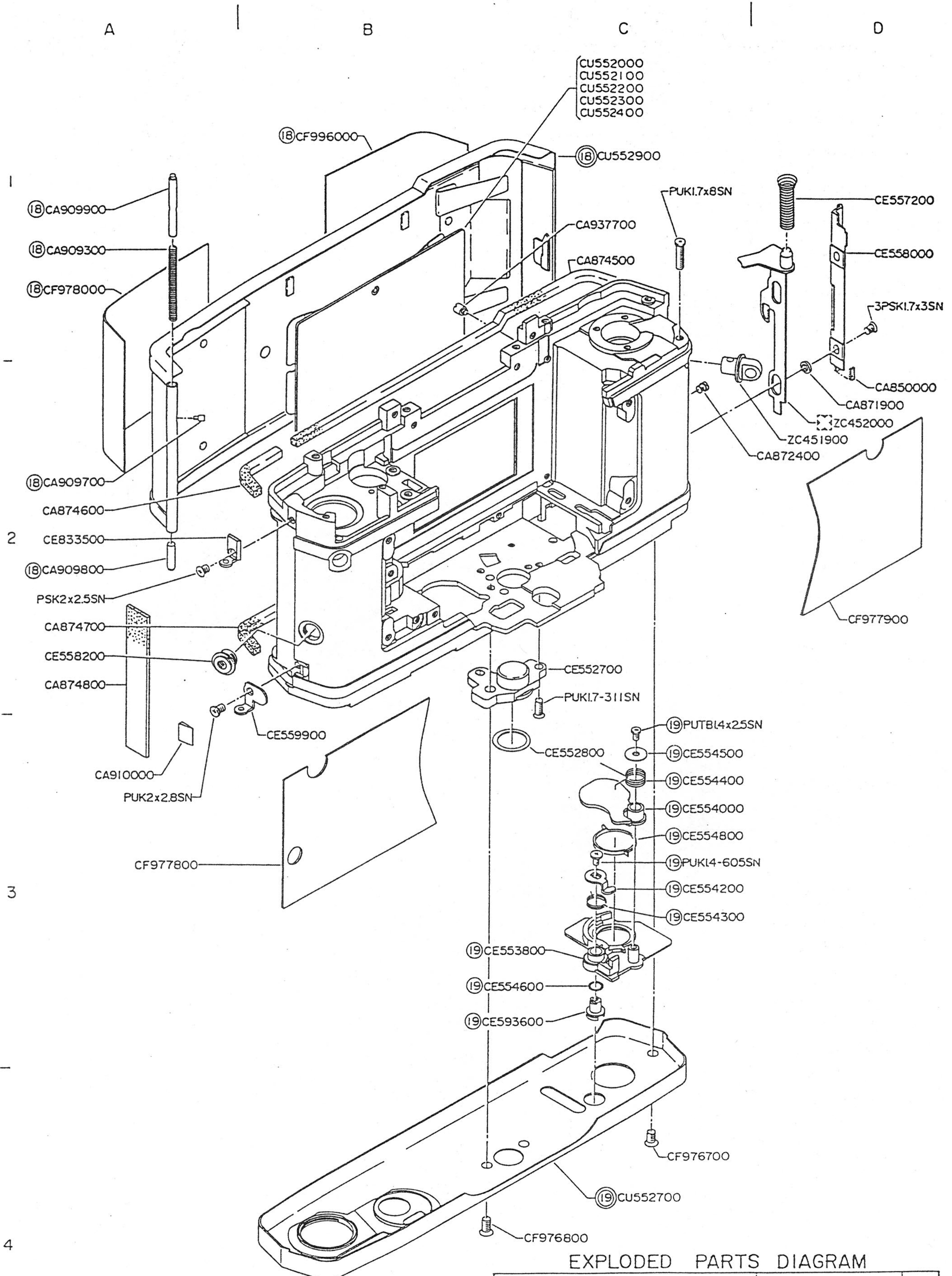


EXPLODED PARTS DIAGRAM

MODEL	HOUSE CODE or UNIT	FIG.
OM-3Ti	MDT-1	1/9

OLYMPUS OPTICAL CO., LTD. TOKYO, JAPAN



EXPLODED PARTS DIAGRAM

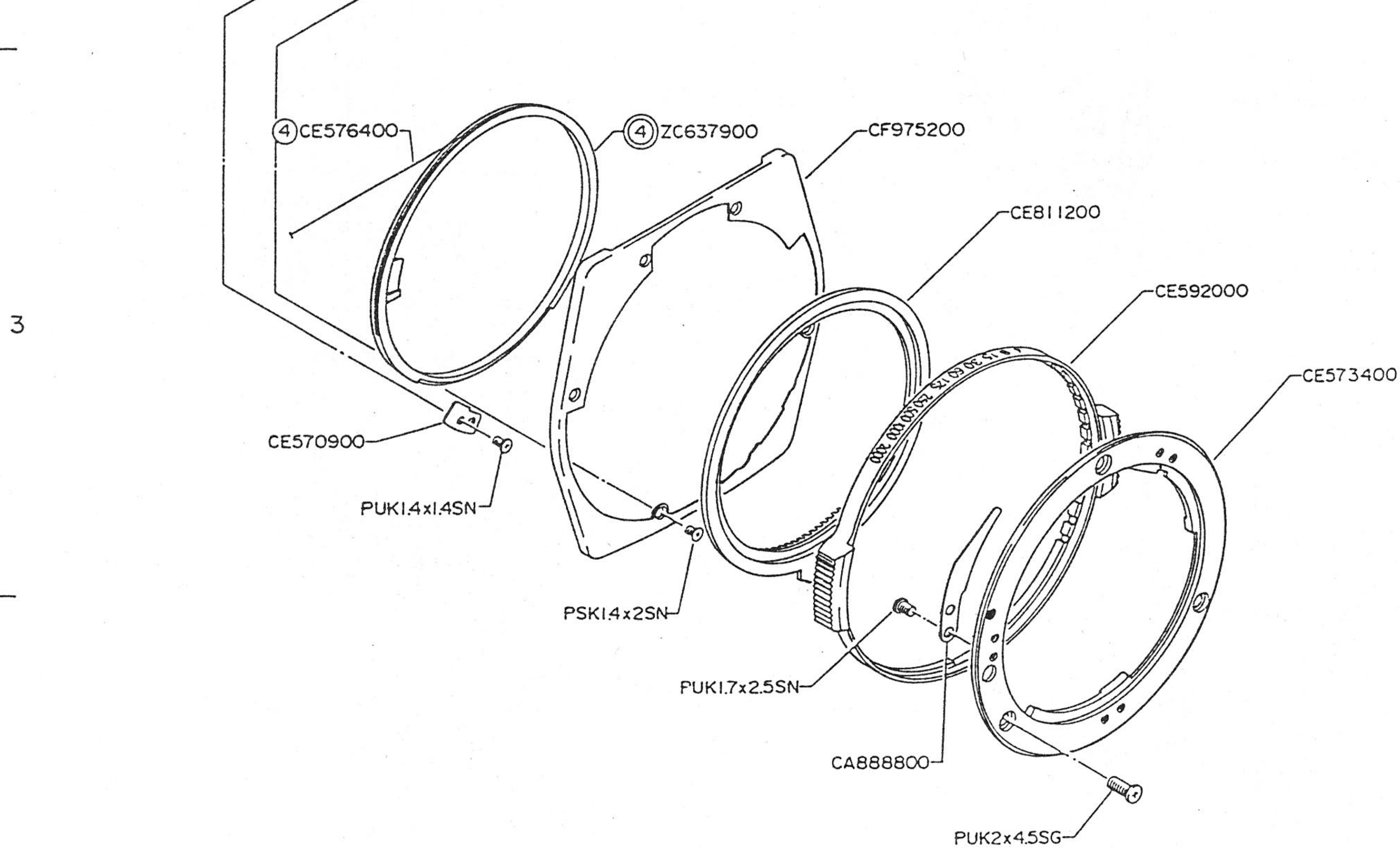
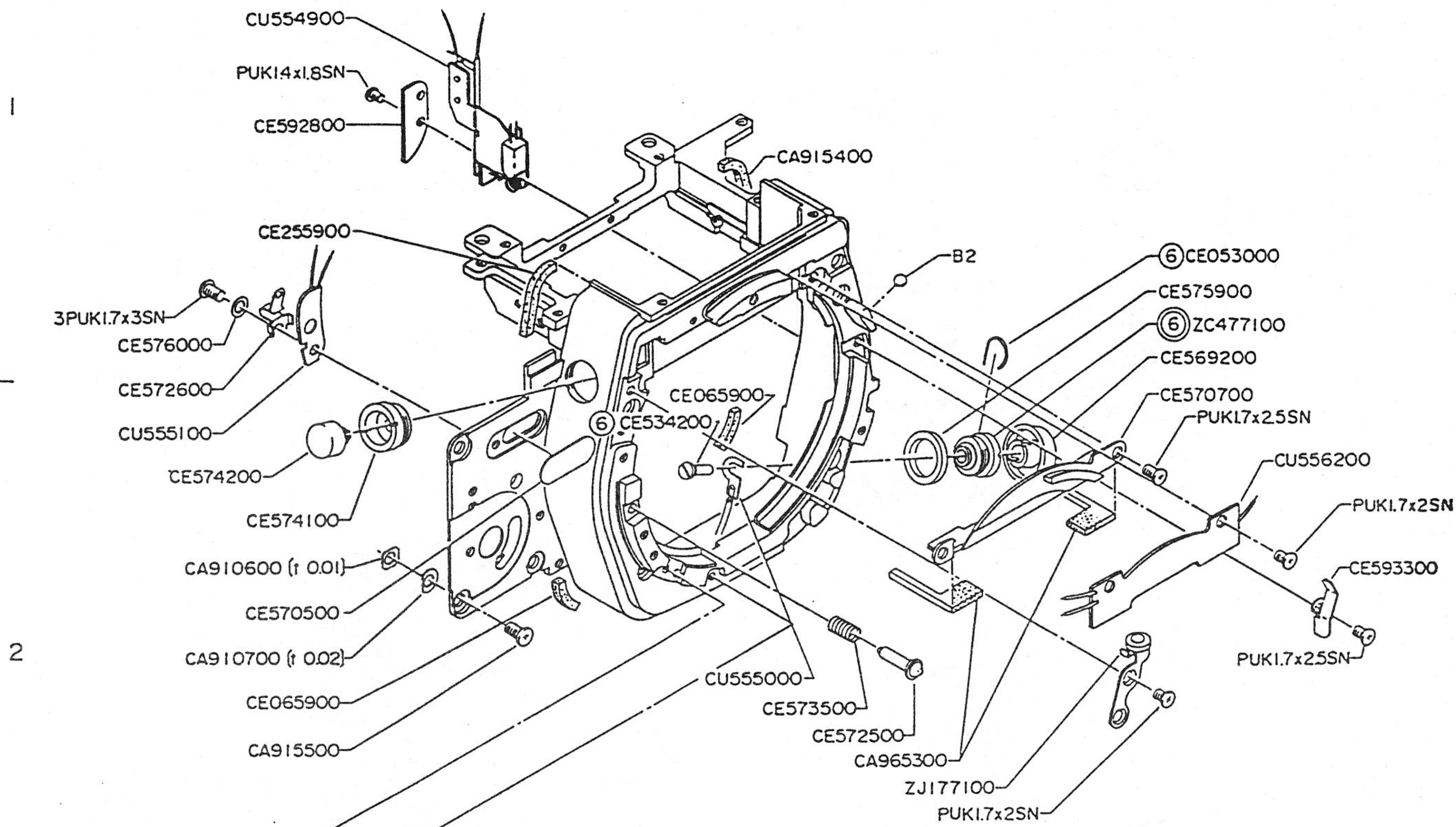
MODEL	HOUSE CODE or UNIT	FIG.
OM-3 Ti	MDT-1	2/9
OLYMPUS OPTICAL CO., LTD. TOKYO, JAPAN		

A

B

C

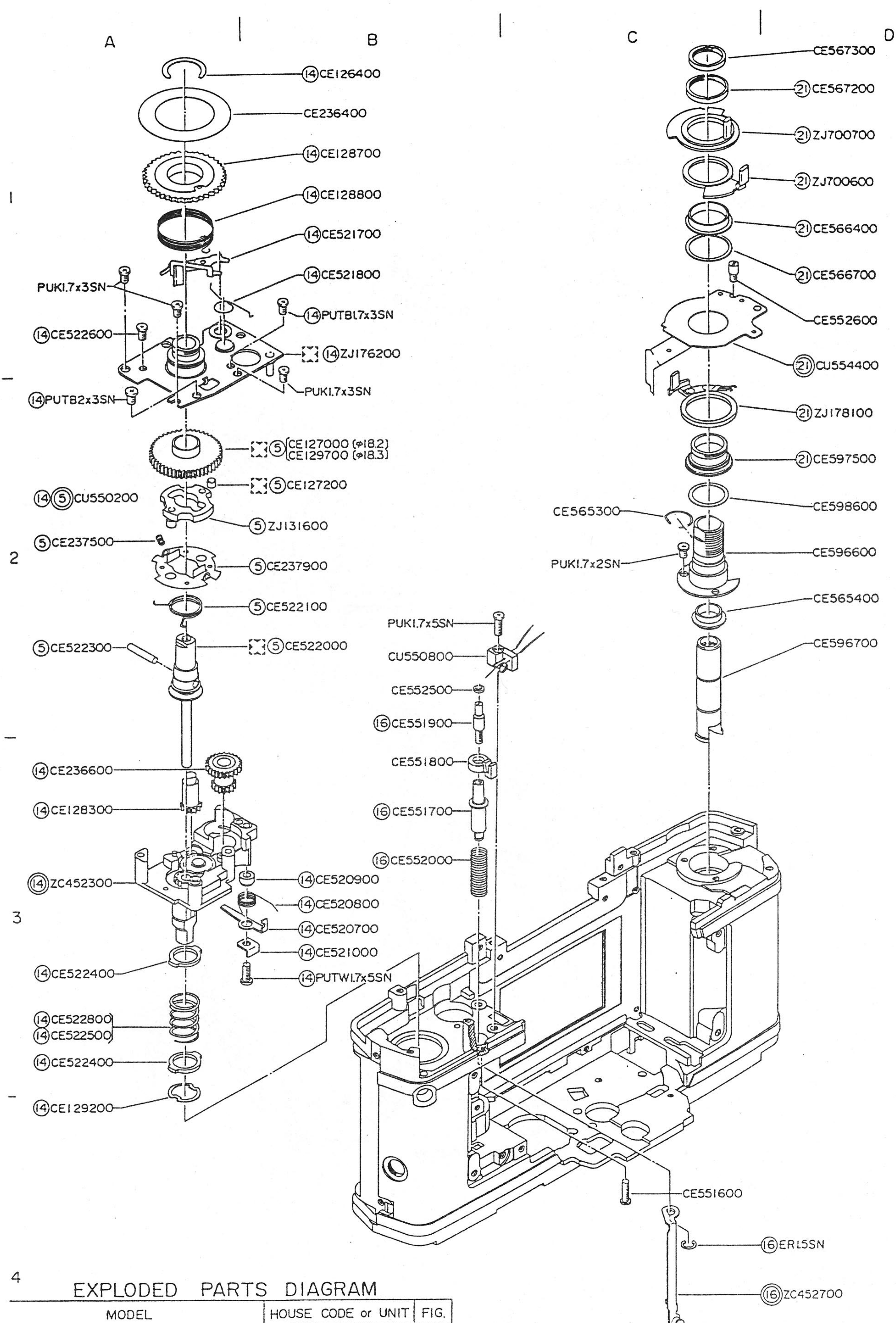
D



EXPLODED PARTS DIAGRAM

MODEL	HOUSE CODE or UNIT	FIG.
OM-3 Ti	MDT-1	3/9

OLYMPUS OPTICAL CO., LTD. TOKYO, JAPAN



4 EXPLODED PARTS DIAGRAM

MODEL	HOUSE CODE or UNIT	FIG.
OM-3 Ti	MDT - I	4/9
OLYMPUS OPTICAL CO., LTD. TOKYO, JAPAN		

A

B

C

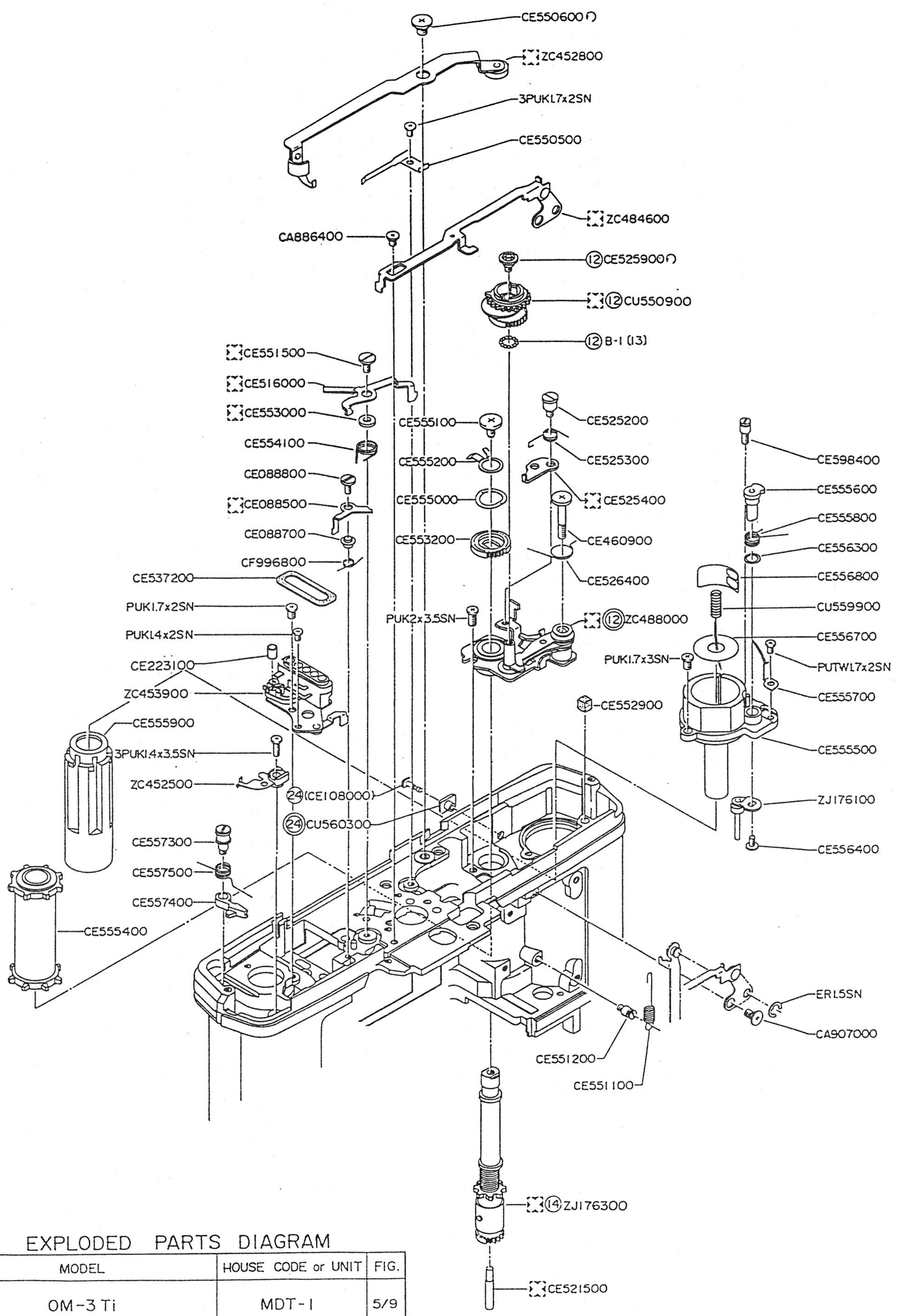
D

1

2

3

4



EXPLODED PARTS DIAGRAM

MODEL	HOUSE CODE or UNIT	FIG.
OM-3 Ti	MDT-1	5/9

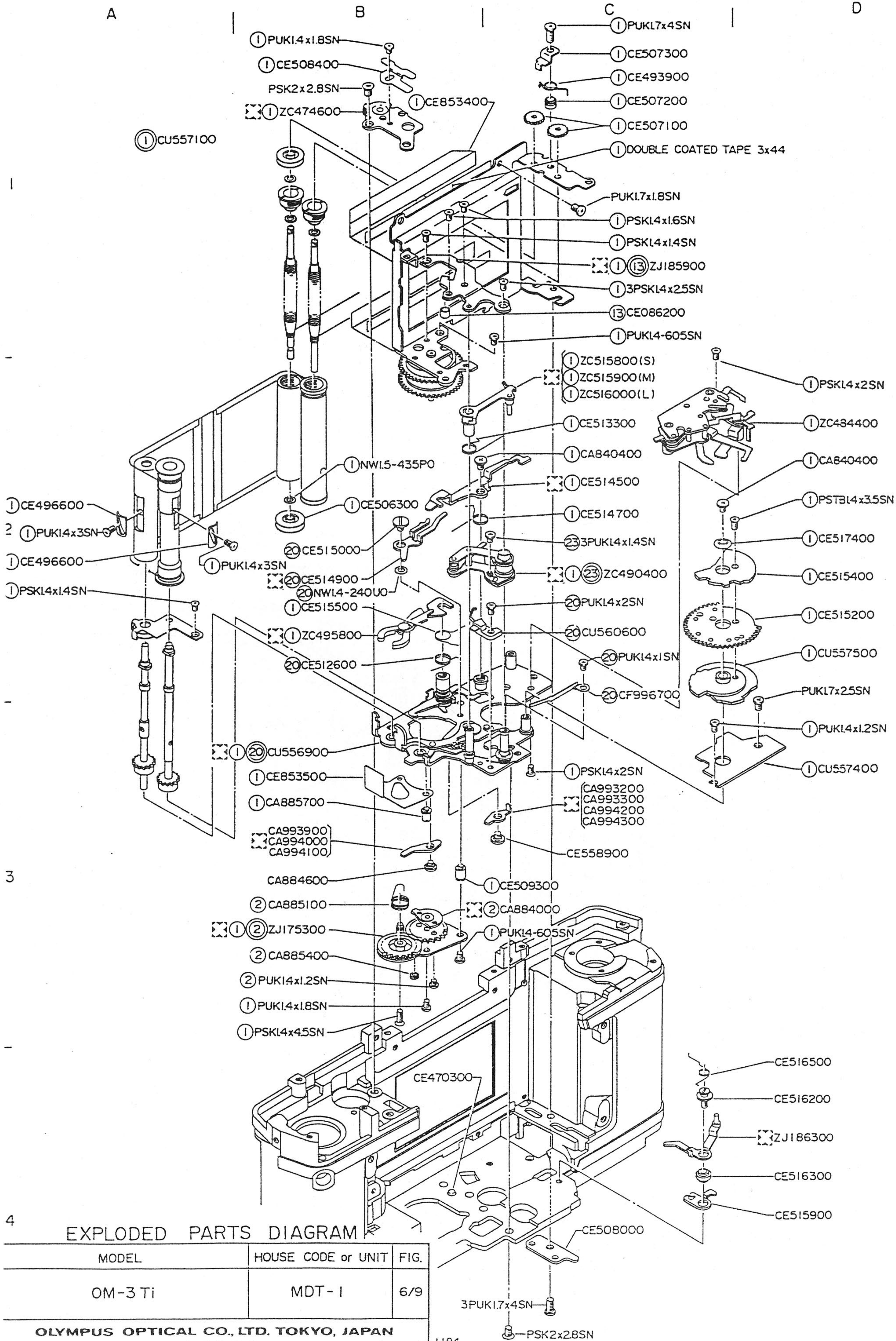
OLYMPUS OPTICAL CO., LTD. TOKYO, JAPAN

A

B

C

D

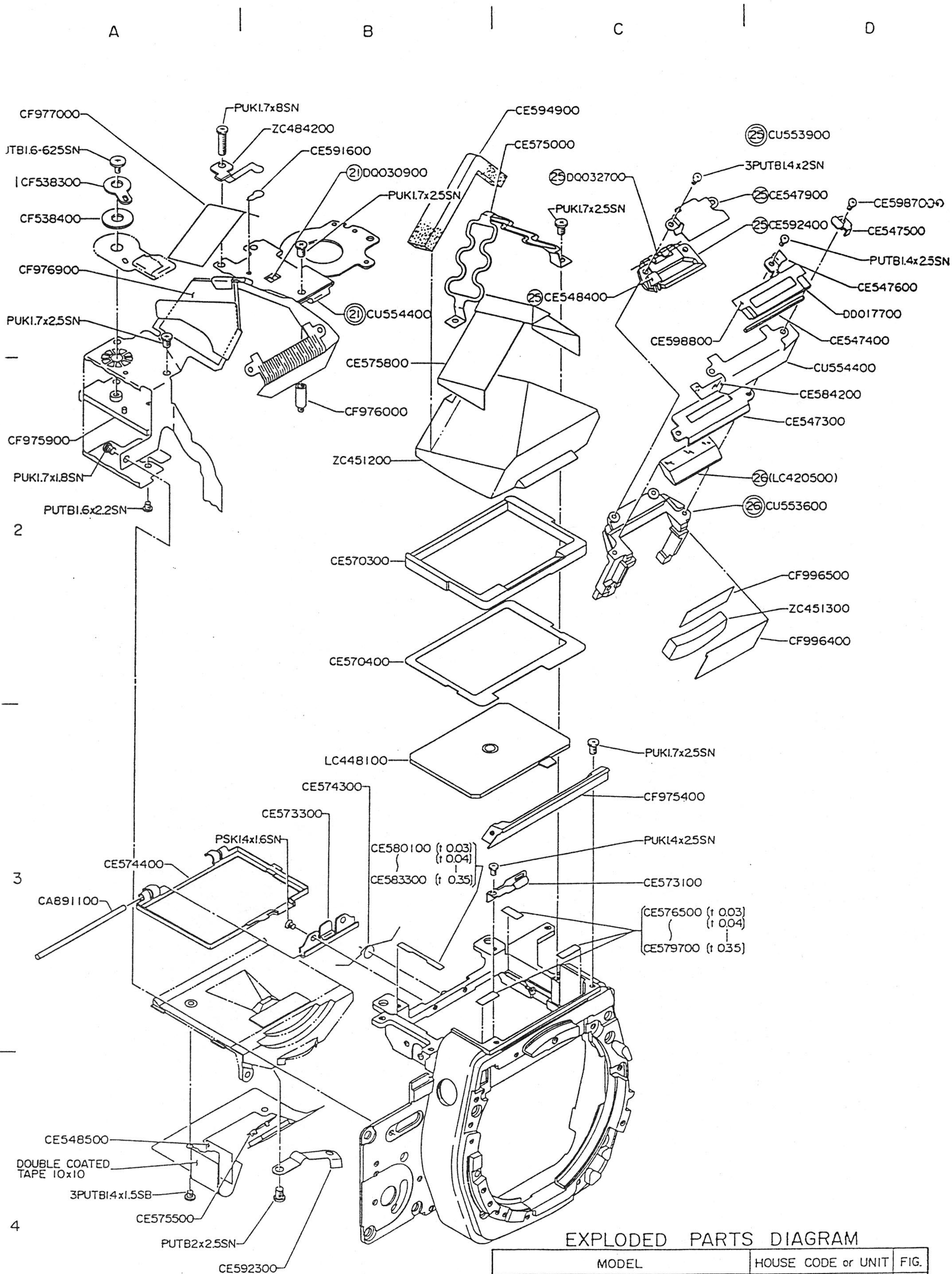


3

4

EXPLODED PARTS DIAGRAM

MODEL	HOUSE CODE or UNIT	FIG.
OM-3 Ti	MDT-1	6/9
OLYMPUS OPTICAL CO., LTD. TOKYO, JAPAN		



EXPLODED PARTS DIAGRAM

MODEL	HOUSE CODE or UNIT	FIG.
OM-3 Ti	MDT-1	7/9

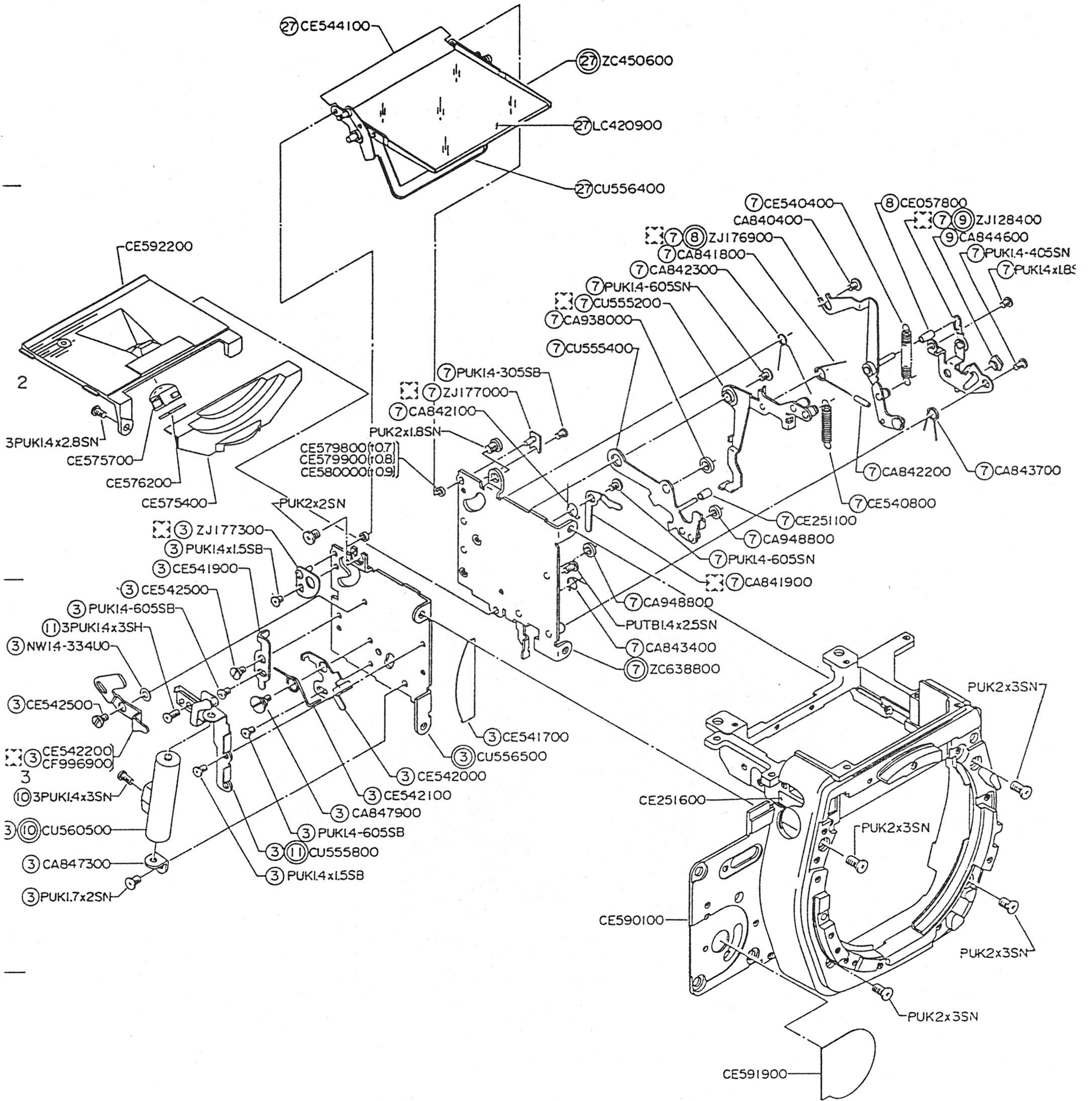
OLYMPUS OPTICAL CO., LTD. TOKYO, JAPAN

A

B

C

D



4

EXPLODED PARTS DIAGRAM

MODEL	HOUSE CODE or UNIT	FIG.
MD-3 Ti	MDT-1	B/9

OLYMPUS OPTICAL CO., LTD. TOKYO, JAPAN

A

B

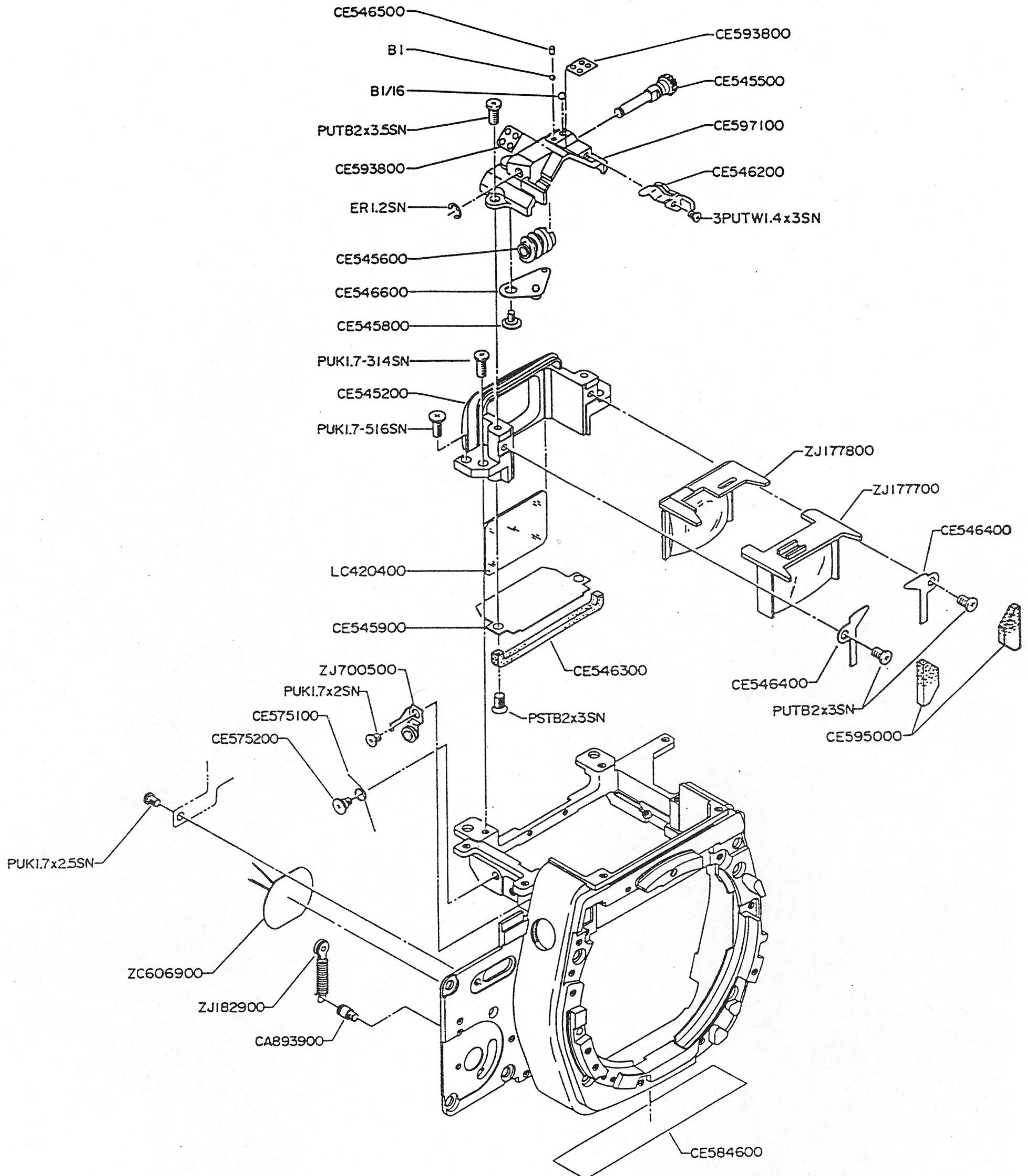
C

D

1

2

3



4

EXPLODED PARTS DIAGRAM

MODEL	HOUSE CODE or UNIT	FIG.
OM-3Ti	MDT-1	9/9
OLYMPUS OPTICAL CO., LTD. TOKYO, JAPAN		